



Made
for your
future



Innovation and
service. That's what
we're all about.

GET TO KNOW A DIFFERENT KIND OF FIBRE PROVIDER.

Why are we the partner of choice for Canadian businesses?

What we do

Cogeco Fibre Services delivers Ethernet WAN connectivity and dedicated Internet services via one of Canada's most robust and reliable networks. We partner with our clients to offer stable, high-bandwidth solutions that fit within their strategic initiatives, to help grow their business.

How are we different?

To start, Cogeco has a network that's unique in the industry with a wholly owned, 100% fibre-based network. With over 11,000 kilometres of our own fibre, we offer a powerful, dynamic platform that can easily and economically deploy additional capacity for our customers as they grow.

World class – all local

Our state of the art Network Operations Centre also separates us from the competition. From this base, we provide customers with 24/7 support and proactive network monitoring, all backed by seasoned support professionals.

Innovation and service. *The building blocks for your future.*

Innovation

Innovation and a make-it-happen approach inform everything we do for our clients. We continually invest in our network to offer more powerful bandwidth and performance, and constantly evolve our service options to offer the support you need to grow. By continually refining our services, we ensure your organization always gets the connectivity it needs.

Customer Service

At Cogeco Fibre Services, “service” is not an empty promise. Rather, it's a singular focus that drives our commitment to serving our customers. Year after year, our award-winning customer service is living proof of that commitment. Our unmatched commitment to innovation means your organization always benefits from the quality and values synonymous with the Cogeco name.

Interested in learning more?

Ask for a list of the international corporations, government agencies, hospitals, universities and other customers that rely on our services for dedicated, secure connectivity.

We're always happy to help you.



Made
for your
future

 **FIBRE
SERVICES**
INTERNET



Dedicated
Internet Service

DEDICATED TO YOUR ORGANIZATION'S SUCCESS

Cogeco Fibre Ethernet-based Dedicated Internet services represent the pinnacle of throughput and flexibility for Internet applications, with speeds ranging from 5 Mbps to up to 10 Gbps and beyond.

Service Overview

Cogeco Dedicated Internet is a dynamic and cost-effective solution well suited for today's growth-oriented organizations. Dedicated Internet offers businesses speeds ranging from 5 Mbps to up to 10 Gbps and beyond – the bandwidth you need, when you need it. Reliable, cost-effective and secure, Dedicated Internet is ideal for organizations looking to support mission-critical High Speed Internet, Intranet or Extranet applications.

Fixed Internet

Select the bandwidth your organization requires – it's that simple. Whether you require 5 Mbps to 10 Gbps and beyond, Cogeco Fibre Dedicated Internet ensures your organization has access to the bandwidth you need, 24/7/365.

Key Features

- Industry-leading SLA: 99.999% core network availability
- 99.7% service availability
- 100% wholly owned fibre-based delivery – no copper or leased lines
- Speeds from 5 Mbps to 10 Gbps and beyond
- Cost-effective
- Flexible, scalable and reliable
- Extremely secure
- Locally supported



Customer Service

Cogeco Business Solutions state-of-the-art Network Operations Centre provides customers with unparalleled support services including around-the-clock proactive network monitoring. Available 24/7/365, our seasoned support professionals bring with them a proven track record and commitment to superior customer service.

1-855-GO-FIBRE
Cogeco.ca/Fibre

 **COGECO**

**BUSINESS
SOLUTIONS**

 **FIBRE
SERVICES**

Made
for your
future



SIP TRUNKING &
PRI REPLACEMENT



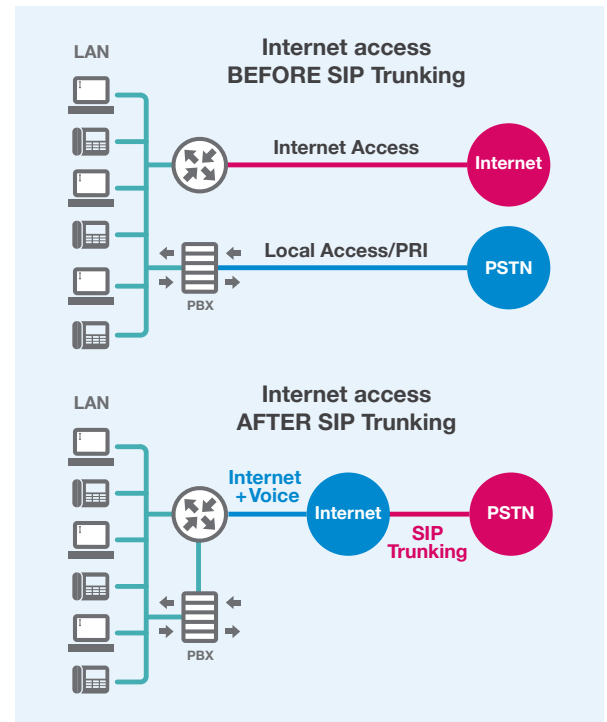
Unify your voice
and data systems.
Simplify and save.

AN INTEGRATED VOICE AND DATA SOLUTION FOR FIBRE SERVICES CUSTOMERS

SIP (Session Initiation Protocol) trunking is a complete voice solution that combines your voice and data systems to simplify and save on your business communications. Used primarily for Voice over Private IP, SIP trunking is an evolution of traditional telephony systems. SIP trunks work with an IP private branch exchange (IP PBX systems) and with PRI legacy systems to provide a gateway to the public switched telephone network (PSTN). You can also replace a PSTN data connection and primary rate interface (PRI) devices, creating a single conduit for voice, video and data.

Unlike competitive services that are delivered over the public Internet cloud, Cogeco Fibre Services are channelized over a dedicated, private fibre optic network with QoS (Quality of Service guarantee) and SLA protected to ensure no issues with jitter and latency.

If your business has an IP PBX, this service opens up opportunities to take advantage of more advanced IP-based technologies. It can also enable your organization to benefit from advanced communication features in the future as your needs evolve.



KEY FEATURES

Cost Savings

- Significantly reduce costs by eliminating the need for separate voice and data connections
- Expand the potential for communications convergence by connecting your voice and data systems through Cogeco's fibre network
- Unlimited local and North American long distance calling (Canada and the U.S. only)

Efficiency and Productivity

- Ideal for company-wide IP connectivity
- Makes telecommunications easier, more efficient and less expensive to manage
- Eliminates excess equipment
- Spend less time and resources on management
- Connected line identification presentation/restriction

Scalability

- Grows with your business: the infrastructure needed for additional voice and data traffic are already in place
- A corporate SIP trunking solution can serve an entire enterprise, regardless of its size
- Leverage your existing technology with a communications solution prepared to take your enterprise into the future

PRI REPLACEMENT

Does your enterprise use Primary Rate Interface (PRI)?

- Bridge the gap between your old PRI system and fibre connection with SIP trunking and minimize costs
- Leverage your legacy system: Simple, scalable and cost-effective. Our service lets you use existing legacy PBX systems with SIP technology to deliver voice communications and can easily adapt to meet your future needs

Applicable where Cogeco Business services are available. Some conditions may apply. Offers, specifications and rates may change at any time without notice. Must be an existing Cogeco Business Solutions Fibre customer to qualify for SIP trunking and PRI-replacement services.

1-855-GO-FIBRE
Cogeco.ca/Fibre

COGECO

BUSINESS
SOLUTIONS



FIBRE
SERVICES