



DP 20 20 / 11

**APPLICATION FOR DEVELOPMENT PERMIT APPROVAL
Section 70.2 of the Planning Act, RSO 1990, as amended**

This application form **MUST** be accompanied with **all** the submission requirements in order to be considered a complete application. **Incomplete applications will not be processed until all information is provided.**

A meeting with Planning and Development staff is **REQUIRED PRIOR TO SUBMISSION** of this application. At that time, approval stream and submission requirements will be determined. **ALL** applications require the following:

- Complete application form signed including declaration of applicant.
- Copy of the deed of property or offer to purchase and sale
- Two (2) large scale copies of all plans being submitted, two reduced 8.5" x 11" of each plan and one electronic copy in pdf format. Plans are to be in a standard scale format (1:250 1:500)
- Application fee payable to the Town of Gananoque:
 - Class I \$500
 - Class II \$1,500
 - Class III \$1,700
 - Amendment to Class I, Class II or Class III \$700
- Deposit fee in the amount of \$2,000 payable to the Town of Gananoque for peer reviews of studies for a Class II/Class III
- Copy of the most recent survey of the subject property
- Cataraqui Region Conservation Authority.** Subject to review and a separate cheque payable to the Cataraqui Region Conservation Authority. See fee schedule. Clearance letter will be required by the Town.

CONTACT INFORMATION

Municipal Freedom of Information and Protection of Privacy Act – Personal Information on this form is collected under authority of The Planning Act and will be used to process this application.

Name of Applicant: <i>Heung Ryong Woo</i>	Complete Address including Postal Code: <i>80 King St. East Gananoque, ON.</i>	Phone: <i>(613) 463-1118</i> Fax: _____ E-mail: <i>sush-sun@1@gmail.com</i>
Name of Property Owner (if different than applicant):	Complete Address including Postal Code: <i>K7G 1G1</i>	Phone: _____ Fax: _____ E-mail: _____
Architect/Designer/Planner:	Complete Address including Postal Code:	Phone: _____ Fax: _____ E-mail: _____
Engineer:	Complete Address including Postal Code:	Phone: _____ Fax: _____ E-mail: _____
Ontario Land Surveyor:	Complete Address including Postal Code:	Phone: _____ Fax: _____ E-mail: _____

Street or Property Address (if applicable):

LEGAL DESCRIPTION

Lot/Con/Plan: **PLAN 86 LOT 7**

Frontage: 60 FT	Depth: 120 FT	Area (sq.m): 7,200 SQ FT	Area (acres): _____
---	---	--	------------------------

SUBMISSION REQUIREMENTS

The applicant/agent is responsible for ensuring that the submission requirements are met, including confirming that all the information listed below is shown on the required plans by checking off each box.

- Site Plan(s)** including scaled accurate measurements of:
 - o Title, location and date of project including legend and scale (graphic bar scale as well as written ratio scale);
 - o Dimensions and areas of the site including existing natural and artificial features i.e: buildings, watercourses, wetlands, woodlands.
 - o Dimensions and gross floor area of all building and structures to be erected;
 - o Existing structures to be retained, removed or relocated;
 - o Distances between lot lines and the various buildings, structures, parking areas, driveways and other features;
 - o Proposed elevation of finished grades including area to be filled or excavated, retaining walls, drainage ditches;
 - o Parking areas including number, size of spaces and dimensions. The plans shall have regard for **Ontario Regulation 413/12 made under Accessibility for Ontarians with Disabilities Act, 2005**. This shall include, but not be limited to, providing appropriate designated parking spaces and unobstructed building access features.
 - o Access driveways including curbing and sidewalks
 - o Proposed fire routes and fire route sign locations
 - o Dimensions and locations of loading zones, waste receptacles and other storage spaces;
 - o Location, height and type of lighting fixtures including information on intensity and the direction in which they will shine relative to neighbouring streets and properties;
 - o Location of sign (sign permit to be applied for through the Building Permit process) as per By-law 2005-41;
 - o Location, type and size of any other significant features such as fencing, gates and walkways.
- Drainage Plan(s)** including scaled accurate measurements of:
 - o Drainage Plan must demonstrate proposed development is handled on-site and does not infringe on neighbouring properties;
- Landscape Plan(s)** including scaled accurate measurements of:
 - o Landscape Plan showing size, type and location of vegetation, areas to be seeded or sod. Plan to show existing landscape features to be retained, removed or relocated;
- Site Servicing Plan(s)** including scaled accurate measurements of:
 - o Site Servicing Plan (plan/profile) including layout of existing water, sewer, gas lines, proposed connections, utility easements, fire hydrants, hydro poles, lighting, trees, transformers and pedestals.
- Grade Control and Drainage Plan(s)** including scale accurate measurements of:
 - o Existing elevations on subject and adjacent lands and long centerline or adjacent street lines, which are to be geodetic;
 - o Location of any creeks, ravines or watercourses with elevations and contours;
 - o Arrows indicating the proposed direction of flow of all surface water;
 - o Location and direction of swales, surface water outlets, rip-rap, catch basins, rock, retaining walls, culverts
 - o Existing and/or proposed right-of-ways or easements
- Elevation and Cross-Section Plan(s)** including scale accurate measurements of:
 - o Drawings that show plan, elevations and cross section views for each building or structure to be erected;
 - o Conceptual design of building;
 - o Relationship to existing buildings, streets and exterior areas to which members of the public have access to;
 - o Exterior design including character, scale, appearance and design features of the proposed building;
 - o Design elements of adjacent Town road including trees, shrubs, plantings, street furniture, curbing and facilities designed to have regard for accessibility
 - o Photographs of the subject land and abutting streetscape on both side of the street
- Supporting Studies and Reports.** Technical reports/plans or studies may be required to assist in the review process of a Development Permit Application. Applications for Development Permit may be required to submit the following studies or reports. Applicants should consult with Municipal staff to determine site specific requirements:

<input type="checkbox"/> Servicing options report	<input type="checkbox"/> Phase I Environmental Study and if investigation as required
<input type="checkbox"/> Hydrogeological Study	<input type="checkbox"/> Noise and/or vibration study
<input type="checkbox"/> Drainage and/or stormwater management report	<input type="checkbox"/> Source Water protection study
<input type="checkbox"/> Environmental Impact Assessment for a natural heritage feature or area	<input type="checkbox"/> MDS I or II calculation
<input type="checkbox"/> Archaeological Assessment	<input type="checkbox"/> Minimum Separation distance calculation for an industrial use or a waste management facility
<input type="checkbox"/> Influence area study for development in proximity to a waste management facility or industrial use	<input type="checkbox"/> Confirmation of sufficient reserve sewage system capacity and reserve water system capacity
<input type="checkbox"/> Traffic Study	<input type="checkbox"/> Vegetation Inventory and/or Tree Preservation Plan
<input type="checkbox"/> Heritage Resource Assessment	<input type="checkbox"/> Supporting Land Use Planning Report
<input type="checkbox"/> Mine hazard rehabilitation assessment	

Existing Use(s):

Length of time the existing use of the subject lands have continued:

Has the property been designated as a Heritage Site? Yes No

Is the property presently under a Site Plan Agreement? Yes No

Has the property ever been subject of an application under Section 34 (Zoning), 41 (Site plan) or 45 (Minor Variance) of the Planning Act?
 If yes, provide the file number and the status of the application?
 Yes No
DP2016-06

Proposed Use(s): Drive-Thru Pickup Service

Is the Use permitted or permitted subject to criteria as set out in the development permit by-law and how have the applicable criteria have been addressed?
Yes.

Is a variation requested? Demonstrate how the proposed variation meets the criteria as set out in the development permit by-law.

Abutting Land Use(s):
Commercial

Is the Development to be phase? Yes No

What is the anticipated date of construction?
August 1st, 2020

Is the land to be divided in the future?
No.

Are there any easements, right-of-ways or restrictive covenants affecting the subject land? Yes No

Plan Details:

<input type="checkbox"/> Residential	<input checked="" type="checkbox"/> Commercial	<input type="checkbox"/> Industrial	<input type="checkbox"/> Institutional
	Lot Area: <u>*See Plan Attached</u> _____ (sq.m)	Building Coverage: _____% _____ (sq.m)	Landscape Coverage: _____% _____ (sq.m)
Building Height: _____	No. of Storeys: _____	No. of Units: _____	Method of Garbage Storage: _____
Parking Surface: Existing: _____ Proposed: _____	Number of Parking Spaces: Existing: _____ Proposed: _____ Total: _____	Dimensions of Parking Spaces: _____	Number of Accessible Spaces: _____
Loading Spaces:	Number of Loading Spaces: _____	Dimensions of Loading Spaces: _____	Other: _____

Heritage Tourist Inn/Bed and Breakfast:

<u>N/A</u> an application for a Heritage Tourist Inn? <input type="checkbox"/> Yes <input type="checkbox"/> No	Number of Guest Rooms: <input type="checkbox"/> 1 <input type="checkbox"/> 2 <input type="checkbox"/> 3 <input type="checkbox"/> 4 <input type="checkbox"/> 5 <input type="checkbox"/> 6 <input type="checkbox"/> Other _____	Is this an application for a Bed and Breakfast? <input type="checkbox"/> Yes <input type="checkbox"/> No	Number of Guest Rooms: <input type="checkbox"/> 1 <input type="checkbox"/> 2 <input type="checkbox"/> 3 <input type="checkbox"/> Other _____
---	---	---	--

A Heritage Tourist Inn will require a Heritage Resource Assessment evaluating the heritage significance of the property including a description of historic features is required with the submission of this application.

EXISTING BUILDINGS:		Building 1	Building 2
	Type of Structure		
	Date Constructed:		
	Front Line Setback:		
	Rear Lot Line Setback:		
	Side Lot Line Setback:		
	Side Lot Line Setback:		
	Height:		
	Dimensions:		
	Floor Area:		
PROPOSED BUILDINGS:		Building 1	Building 2
See Plans Attached	Type of Structure:		
	Proposed Date of Construction:		
	Front Line Setback:		
	Rear Lot Line Setback:		
	Side Lot Line Setback:		
	Side Lot Line Setback:		
	Height:		
	Dimensions:		
	Floor Area:		
Attached Additional Page, if necessary			

Access:

<input checked="" type="checkbox"/> Municipal Street	<input type="checkbox"/> Unopen Road Allowance	<input type="checkbox"/> Existing Right-of-way	<input type="checkbox"/> Other _____
Name of Street/Road: <u>King Street East</u>			
Entrance Approvals and Permit Number(s):			
If the application will result in the creation of a new private road, a request for street naming will have to be submitted in conjunction with this application, to be approved by Council.			

Water Access (where access to the subject land is by water only)

Docking Facilities (specify)	Parking Facilities (specify)
distance from subject land _____	distance from subject land _____
distance from nearest public road _____	distance from nearest public road _____

Services:

<input checked="" type="checkbox"/> Municipal Water and Sewer	<input type="checkbox"/> Municipal Water & Private Sewage	<input type="checkbox"/> Private Well and Municipal Sewage	<input type="checkbox"/> Private Well and Private Sewage
Water and Sewer Hook-up Approvals and Permit Number(s):			

AUTHORIZATION BY OWNER

I/We, the undersigned being the owner(s) of the subject land of this application for a consent, hereby authorize _____ (print name) to be the applicant in the submission of this application. Furthermore, I/we, being the registered owner(s) of the subject lands, hereby authorize the Members of Council, Planning Advisory Committee and the Town of Gananoque staff members, to enter upon the property for the purposes of conducting a site inspection with respect to the attached application.

Owner Name (Please Print)	Owner Name (Please Print)
Signature of Owner	Signature of Owner
Signature of Witness (not applicant)	Date

CONSENT BY OWNER

Complete the consent of the owner concerning personal information set out below.

I/We, Henry Ryong Woo, am/are the registered owner(s) of the land that is the subject of this application for Development Purposes and for purposes of the Municipal Freedom of Information and Protection of Privacy Act. I/We hereby authorize the use, or disclosure, to any person or public body, of any personal information collected under the authority of the Planning Act of the purpose of processing this application.

<u>Henry Ryong Woo</u> Signature of Owner	Signature of Owner
<u>Shin Duke Han</u> Signature of Witness (not applicant)	<u>29/07/2020</u> Date

DECLARATION OF APPLICANT

I, Henry Ryong Woo of the Town of Gananoque in the Province of Ontario solemnly declare that:

I understand that the applicant/owner will be required to provide 100% security of the outside works in the form of a Letter of Credit or Certified Cheque until such time as the works are completed. A 15% holdback will be maintained for a period of one year after the works are completed. This will be applicable at the time of agreement.

Furthermore, I, being the applicant of the subject lands, hereby authorize the Members of Council, Planning Advisory Committee and the Town of Gananoque staff members, to enter upon the property for the purpose of conducting a site inspection with respect to the attached application.

All of the above statements contained in the application are true and I make this solemn declaration conscientiously believing it to be true and knowing that it is of the same force and effect as if made under Oath and by virtue of *The Canada Evidence Act*.

Declared/Sworn before me at _____
this _____ day of _____, 20____.

Signature of a Commissioner, etc	<u>Henry Ryong Woo</u> Signature of Applicant
----------------------------------	--

Office Use Only:		Roll No: <u>08 14 000 015 006 00</u>
Official Plan Designation: <u>General Commercial</u>	Development Permit Designation: <u>Commercial Traditional</u>	Other: <u>Site Plan DP 2016-06</u>
Access (Entrance Permits etc): <u>Existing</u>	Water and Sewer Hookup (Permits etc): <u>Existing</u>	Other:
Other Concurrent Applications: <input type="checkbox"/> Cash-in-Lieu of Parking <input type="checkbox"/> Condominium Approval <input type="checkbox"/> Consent/Severance	<input type="checkbox"/> Official Plan Amendment <input type="checkbox"/> Subdivision Approval	
Date Application Received: <u>July 30, 2020</u>	Date Application Deemed Complete:	Fees Received: <u>PAID, full</u>

Peer Review/Consultant Services

In order to streamline the Town of Gananoque's planning process, peer review services may be contracted out by the Town under the current General Fees and Rates Bylaw. These may include but are not limited to the following:

- | | |
|--|---------------------------|
| Official Plan Amendment | Sanitary System Design |
| Condominium Applications | Site Plan Applications |
| Consent Applications | Subdivision Applications |
| Environmental Assessment | Storm Water Management |
| Minor Variance Applications | Traffic Studies |
| Noise Studies | Water Distribution System |
| Ontario Municipal Board Representation | Zoning By-law Amendment |
| Part Lot Control | Other Miscellaneous |

The use of and choice of peer review contract consultants for either planning or engineering on any specific project are subject to the approval of either the Clerk/Manager of Planning and Development or the Director of Public Works, Community Services within their respective areas of jurisdiction.

All costs for the peer review consultants shall be fully paid by the applicant/developer.

Upon approval of the use of a peer review consultant, the applicant/developer shall execute the agreement below with the Town and post a security deposit of \$2,000 (two thousand dollars).

All submissions, correspondence etc. shall be directed to the Manager of Planning and Development, who shall be responsible for distribution.

All invoices from the peer review consultant shall be paid by the Town and subsequently invoiced to the applicant/developer. If payment is not received by the Town within 30 (thirty) days of receipt, then the Town will recover its costs for the security deposit or any other securities which have been posted for the project by the applicant/developer. In that event, the work shall cease on the project and will not commence again until the outstanding invoice has been paid in full, and the securities topped up to their original balance.

The securities will be held by the Town until the component of the project for which they were posted is complete. Authorization for the release of the securities shall be provided to the Treasury Department by either the Clerk or the Manager of Planning and Development, within their respective areas of jurisdiction.

I, Heng Ryong Woo of the Town of Gananoque in the Province of Ontario solemnly declare that:

I am aware of the current Town of Gananoque General Fees and Rates for various services provided by the Town.

Furthermore, I accept the Town's peer review process whereby I agree to provide the Town of Gananoque with a deposit in the amount of \$2,000 (two thousand dollars) in order to conduct the necessary peer review(s) in the completion of my planning application. In the event that payment is not received for such peer reviews, the Town may use the deposit to do so or any other securities being held.

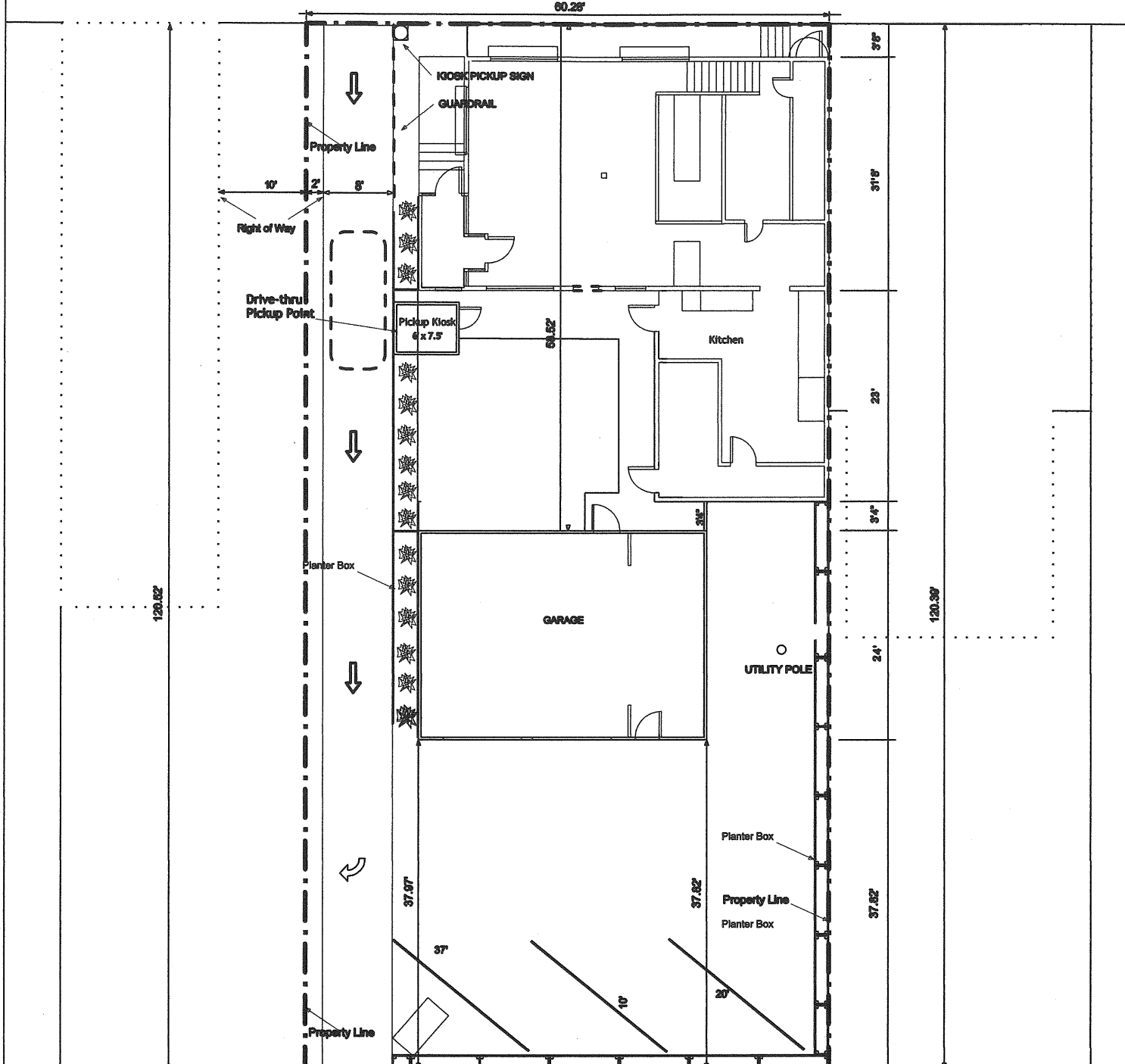
Heng Ryong Woo
Print Name – Owner/Applicant

Heng Ryong Woo
Signature – Owner/Applicant


Date

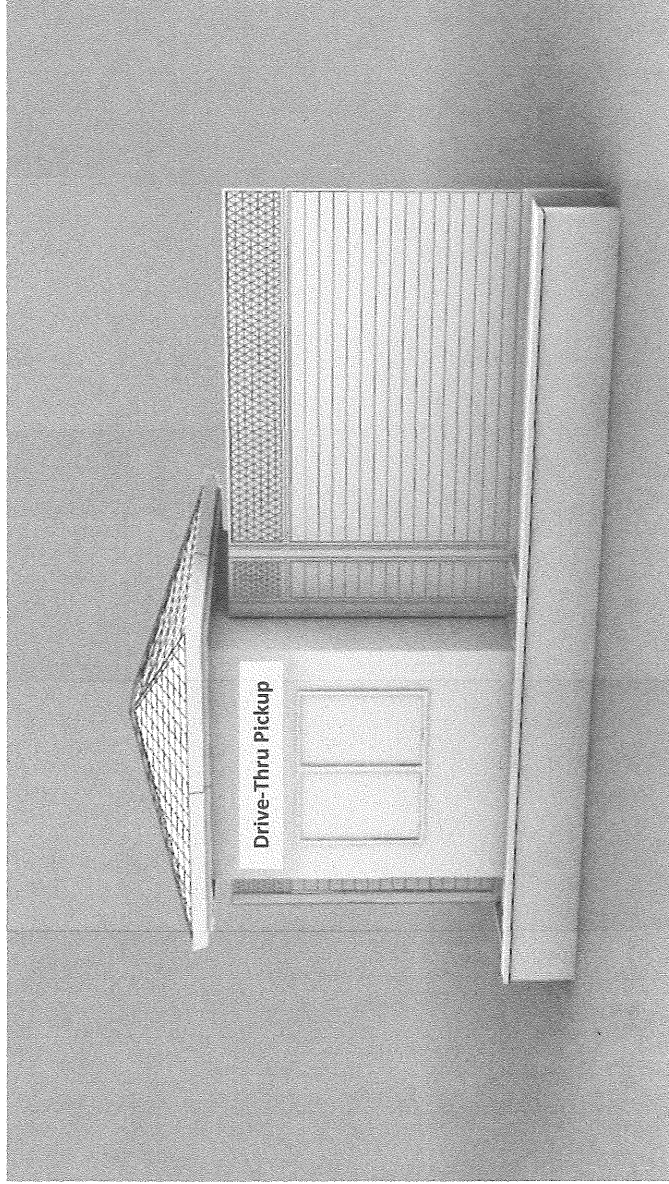
Clerk or Manager of Planning and Development

KING ST EAST



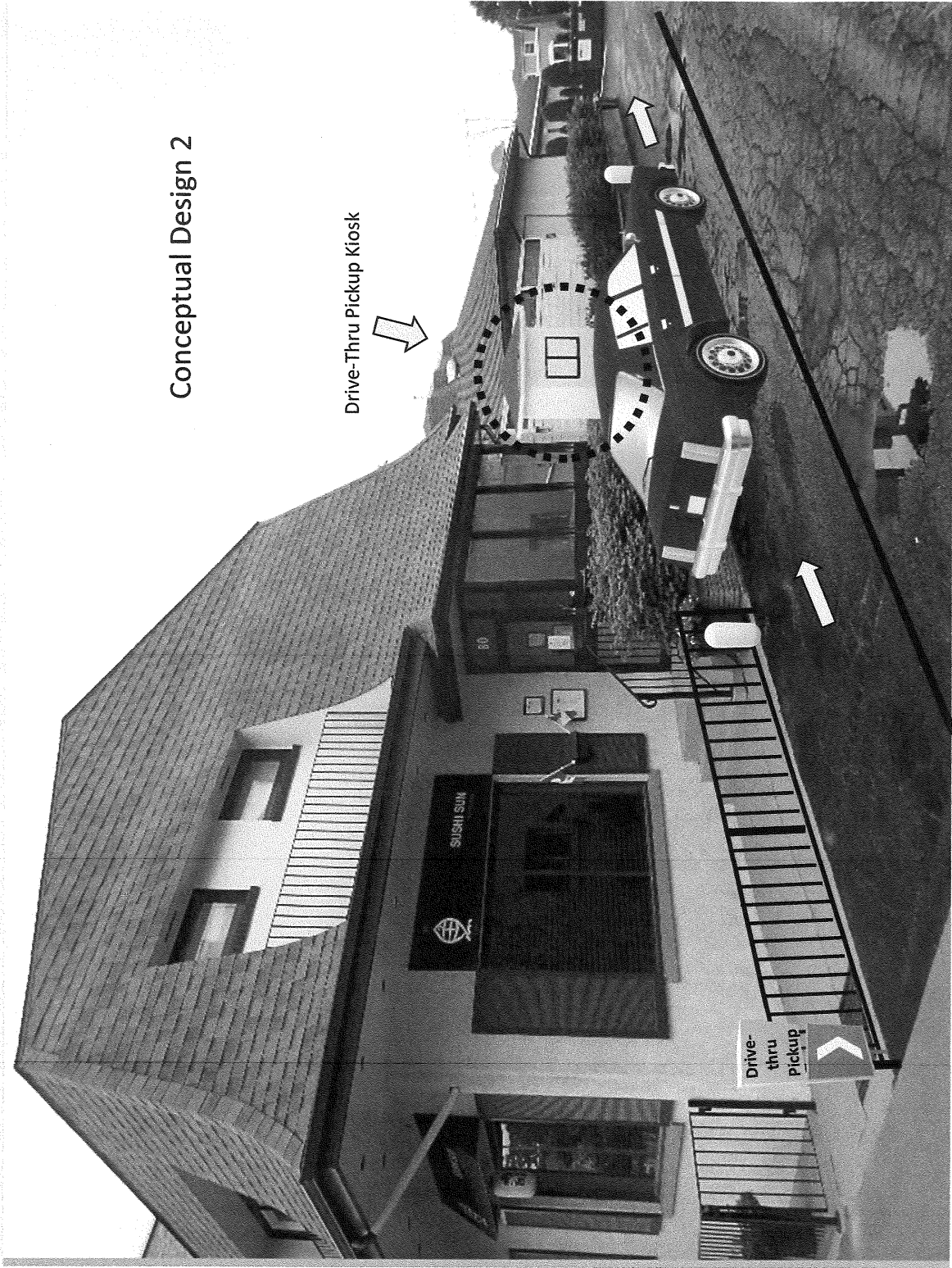
COOPERS ALLEY

<p>HEONDONG ART & DESIGN</p>  <p>(613) 878-7770 HEONDONGART@GMAIL.COM 80 KING ST E, GANANOQUE ON K7G1G1</p>	<p>PROJECT</p> <p>Drive-thru Pickup Kiosk SUSHI SUN RESTAURANT</p>	<p>DRAWING</p> <p>KIOSK BASIC PLAN</p>		
	<p>LOCATION</p> <p>80 KING ST E, GANANOQUE ON K7G1G1</p>	<p>SCALE</p> <p>1:200</p>	<p>DRW. NO.</p> <p>DKD-0</p>	
	<p>SURVEY 09 / 14 / 2016 Collett Surveying Ltd. (613) 342-2611</p>	<p>DATE 20/07/2020</p>	<p>REVISE</p>	



Conceptual Design 1

Conceptual Design 2

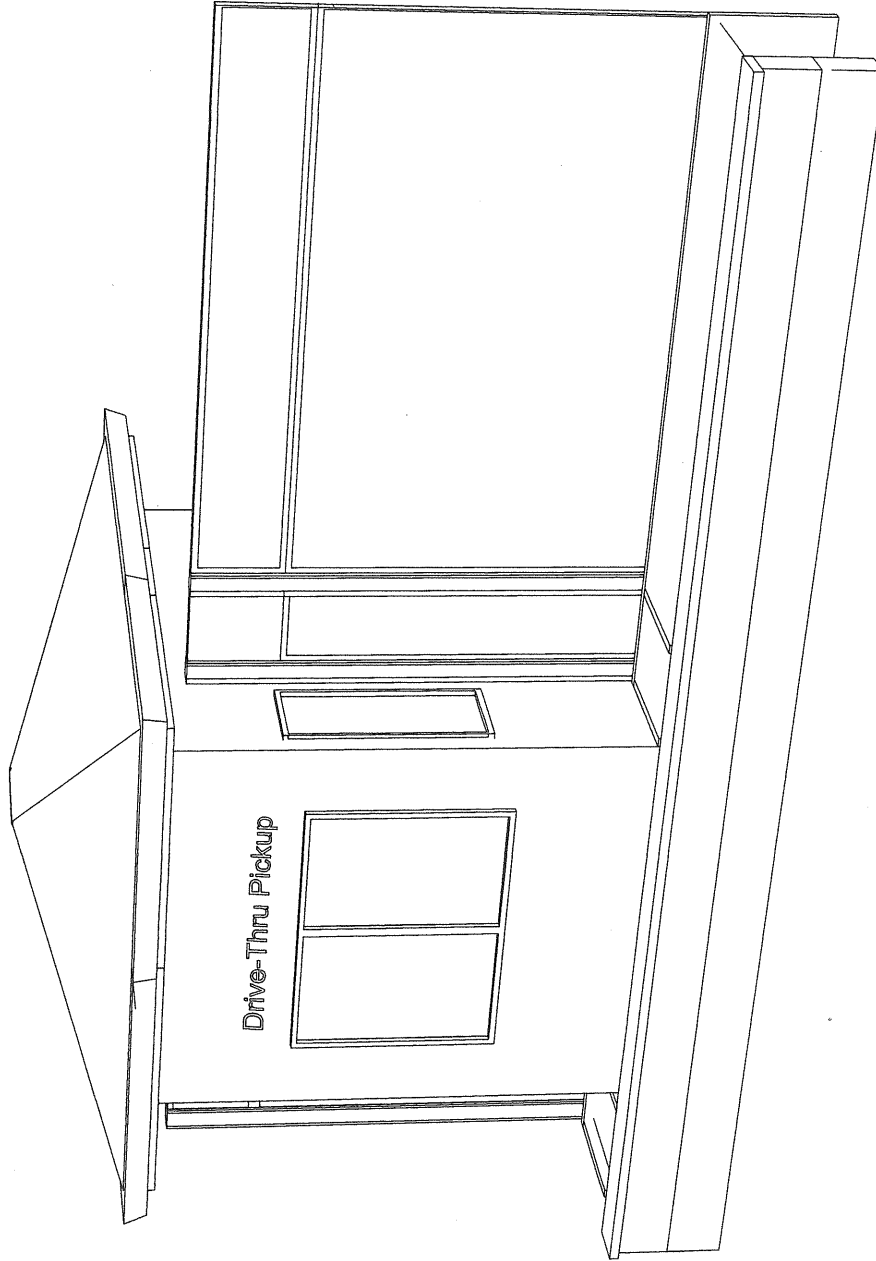


(Photo 1)
From King St. East




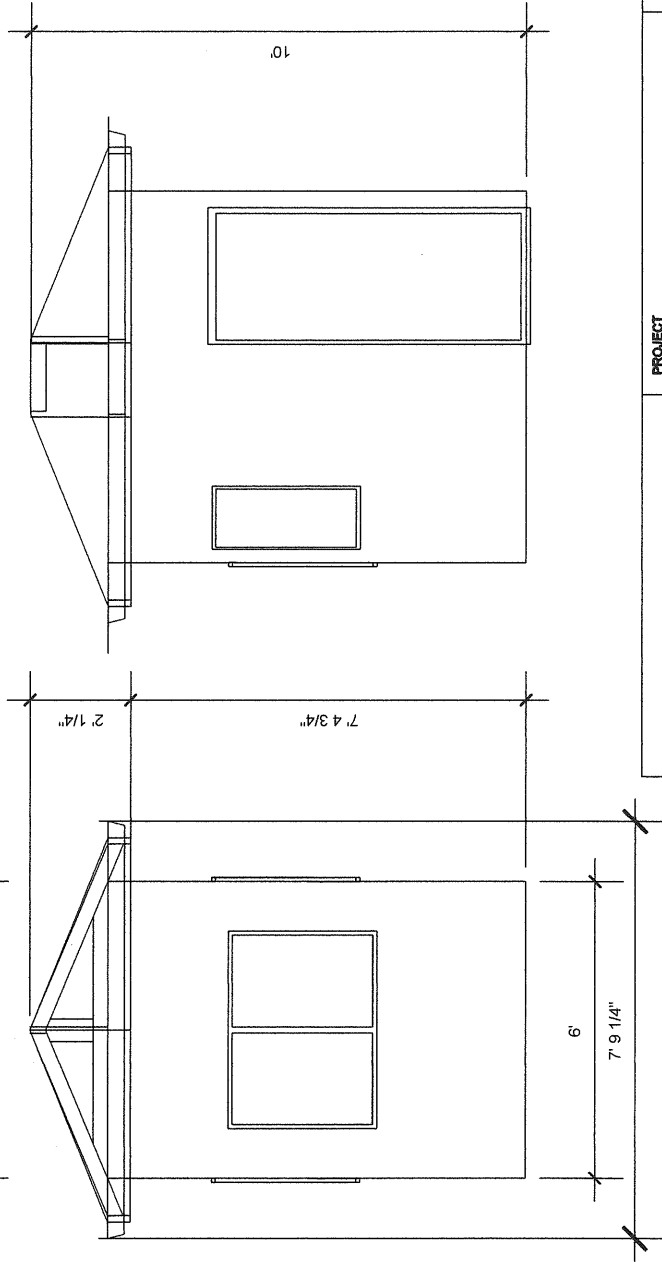
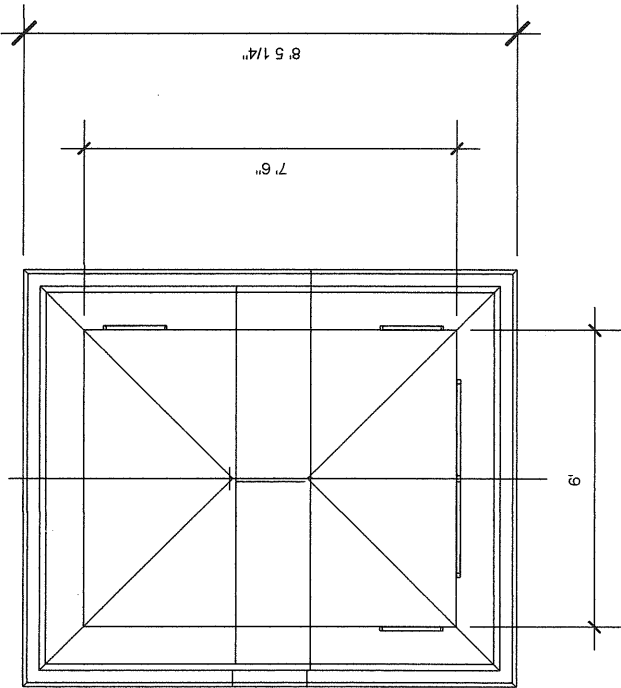
(Photo 2)
From Coppers Alley




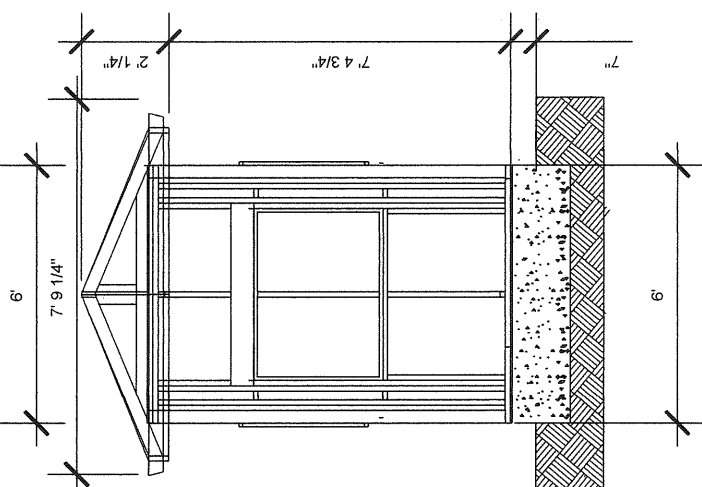
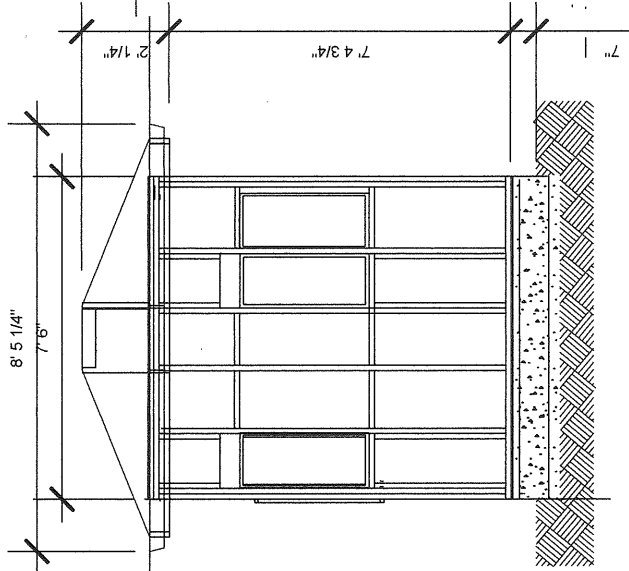
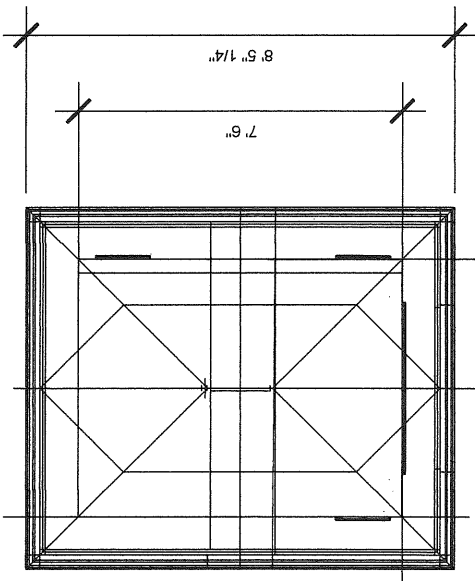



Drive-Thru Pickup

HEONDONG ART & DESIGN  (813) 678-7770 HEONDONGART@GMAIL.COM 80 KING ST E., GANNACQUE ON K7G1G1		PROJECT DRIVE-THRU PICKUP KIOSK	DRAWING Perspective	DRW. NO. DKD-1
LOCATION 80 KING ST E., GANNACQUE ON K7G1G1	SCALE	DATE 20 07 2020	REVISE	
CLIENT				



HEONDONG ART & DESIGN  (613) 578-7770 HEONDONGART@GMAIL.COM 80 KING ST E., GANNOCQUE ON K7G1G1		PROJECT DRIVE-THRU PICKUP KIOSK	DRAWING KIOSK PLAN	DRW. NO. DKD-2
LOCATION 80 KING ST E., GANNOCQUE ON K7G1G1		SCALE 1 : 100	DATE 20 07 2020	REVISE
CLIENT				



HEONDONG ART & DESIGN  (619) 876-7770 HEONDONGART@GMAIL.COM 80 KING ST E., GANANOQUE ON N0T1G1		PROJECT DRIVE-THRU PICKUP KIOSK LOCATION 80 KING ST E., GANANOQUE ON N0T1G1 CLIENT HEONDONG ART & DESIGN	DRAWING Kiosk Plan (Details) SCALE 1 : 100 DATE 20 07 2020 REVISE (blank)	DRW. NO. DKD-3
--	--	--	--	--------------------------