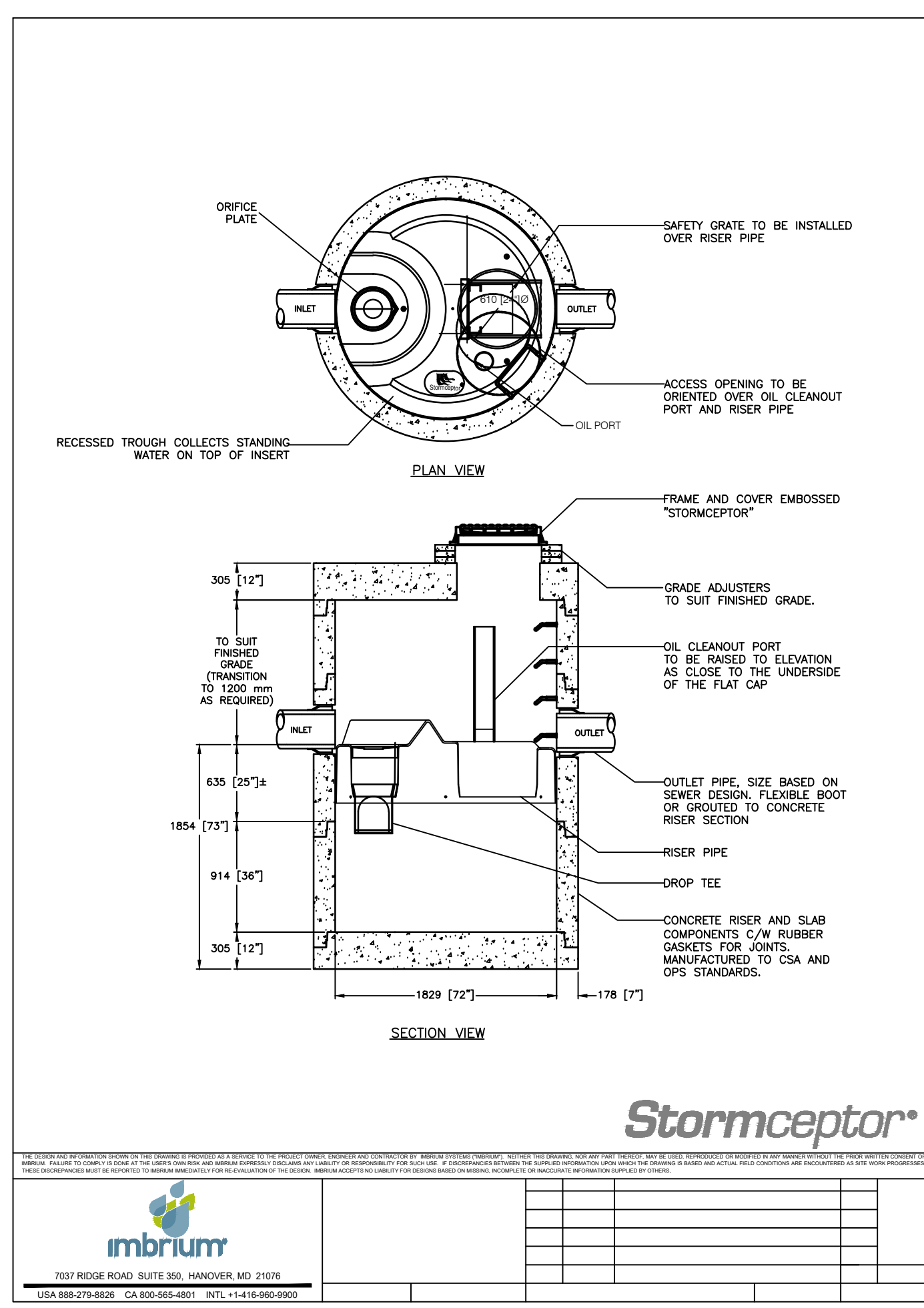


- SERVICES NOTES**
- CONTACT LOCAL UTILITY AGENCIES (GAS, HYDRO & TELEPHONE) TO LOCATE THE EXISTING INCOMING SERVICES, AND USE THE SAME TO SERVE NEW INSTALLATIONS (IF APPLICABLE).
  - ALL STORM/SANITARY AND WATERMAIN CONSTRUCTION SHALL BE IN ACCORDANCE WITH THE TOWN OF GANANOQUE STANDARDS AND SPECIFICATIONS AND THE LATEST EDITION OF THE ONTARIO BUILDING CODE.
  - WATER SERVICE TO BE PEX AND TO BE INSTALLED WITH 12 AWG TRACERWIRE INSTALLED AT DEPTH OF 1.7-1.9M COVER FROM FINISHED GROUND. PEX REQUIRES BRASS FITTINGS.
  - THE MINIMUM UNINSULATED DEPTH FOR SEWER TO BE 1.2m AND THE MINIMUM UNINSULATED DEPTH FOR WATERMANS TO BE 1.7M. SHOULD THE LATTER BECOME SHALLOWER THAN THE STANDARD DEPTHS, INSULATION WILL BE REQUIRED AS PER TOWN OF GANANOQUE STANDARD.
  - ALL SEWER AND WATERMAIN MATERIAL CONFORM TO THE CURRENT TOWN OF GANANOQUE STANDARDS AND SPECIFICATIONS.
  - WATERMAIN CROSSINGS TO BE IN ACCORDANCE WITH MOE PROCEDURE F-6-1
  - LOCAL GAS COMPANY IS TO DETERMINE THE SIZE OF NEW INCOMING GAS SERVICE.
  - WATER LINE MUST HAVE NITRILE GASKETS INSTALLED (NEOPRENE GASKETS ARE NOT ACCEPTABLE).
  - CONTRACTOR IS TO SUPPLY AND INSTALL THE COMPLETE SITE IRRIGATION SYSTEM INCLUDING ELECTRICAL AND WATER SUPPLY CONNECTIONS.
  - CONTROL MANHOLES TO BE BENCHING TO OVERT.

- SPECIFICATIONS FOR C.B.'S AND M.H.'S**
- STORM:**
- DROP STRUCTURE IF REQUIRED AS PER OPSD 1003.010.
  - 600x600 PRECAST CB AS PER OPSD 705.010 c/w RELATED GRATING AS PER OPSD 400.020, GOSS TRAP AND SUBDRAINS AS PER TOWN STANDARD.
  - 600x1450 PRECAST TWIN INLET CB AS PER OPSD 705.020
  - 1200# PRECAST MH AS PER OPSD 701.010 c/w RELATED GRATING AS PER OPSD 401.020 U.N.O.
  - BENCHING AS PER OPSD 701.021.
  - BEDDING AS PER OPSD 802.010.
  - ADJUSTMENT UNITS AND CAPS AS PER OPSD 704.010.
  - SEWER COVER-GRANULAR 'A' CONFORMING TO OPSD 802.03.
  - PIPE-PVC SDR35 UNLESS NOTED OTHERWISE.
  - CB CONNECTIONS AS PER OPSD 708.030
  - ALL CB TO HAVE 3.0m-150mm PERFORATED SUBDRAIN.
  - ALL EX. STORM AND SANITARY ABANDONED SHOWN ON THE PLAN OR ENCOUNTERED DURING CONSTRUCTION ARE TO BE EXCAVATED AT THE STREET LINE AND SEALED TO MUNICIPAL STD.
  - WHEN THE DEPTH OF THE COVER OVER THE PROPOSED SANITARY OR STORM SEWERS IS LESS THAN THE FROST DEPTH, THE SEWERS ARE TO BE INSULATED. THE INSULATION TO BE STYROFOAM BRAND H.I. TYPE IV OR EQUAL.
- SANITARY:**
- 1200# PRECAST M.H.'S AS PER OPSD 701.01 c/w RELATED GRATING AS PER OPSD 401.030.
  - DROP STRUCTURE IF REQUIRED AS PER OPSD 1003.010.
  - BEDDING AS PER OPSD 802.010 WITH GRANULAR "A" FOR BOTH BEDDING AND COVER.
  - BENCHING AS PER OPSD 701.021.
  - SANITARY PIPES TO BE PVC SDR35.
- WATER:**
- ALL NEW WATERMAIN CONNECTIONS SHALL BE CONSTRUCTED IN ACCORDANCE WITH THE LATEST TOWN OF GANANOQUE REQUIREMENT.
  - WATERMAIN AND/OR WATER SERVICES TO HAVE A MINIMUM OF 2.5m HORIZONTAL SEPARATION FROM OTHER UTILITIES.
  - WHERE WATERMAIN AND/OR WATER SERVICES CROSSES UNDER SANITARY OR STORM SEWER A CLEARANCE OF 0.5m SHOULD BE PROVIDED, AS PER MOE PROCEDURE F-6-1.
  - BEDDING AND COVER MATERIAL TO BE INSTALLED AS PER TOWN STANDARD WITH GRANULAR "A" FOR BOTH BEDDING AND COVER.
  - WATER SERVICE TO HAVE MIN. 1.7m-1.9m COVER AS PER TOWN OF GANANOQUE REQUIREMENT.
  - WATER SERVICE TO BE PEX AND TO BE INSTALLED WITH 12 AWG TRACERWIRE INSTALLED AT DEPTH OF 1.7-1.9M COVER FROM FINISHED GROUND. PEX REQUIRES BRASS FITTINGS.



**KEY PLAN**  
 TOPOGRAPHIC PLAN  
 575 KING STREET EAST  
 TOWN OF GANANOQUE  
 COUNTY OF LEEDS

- GENERAL NOTES**
- VERIFY ALL DIMENSIONS PRIOR TO CONSTRUCTION.
  - DO NOT SCALE DRAWINGS.
  - REPORT ALL DISCOVERIES OF ERRORS, OMISSIONS OR DISCREPANCIES TO THE ARCHITECT OR DESIGN ENGINEER AS APPLICABLE.
  - USE ONLY LATEST REVISED DRAWINGS OR THOSE THAT ARE MARKED "ISSUED FOR CONSTRUCTION"
  - DESIGN AND CONSTRUCTION OF THIS PROJECT SHALL COMPLY WITH THE PROVINCIAL AND LOCAL BUILDING CODES LATEST EDITION.
  - ALL WORKS AND MATERIALS USED SHALL COMPLY AS REQUIRED BY THE O.B.C. LATEST EDITION.
  - THIS DRAWING SHALL BE READ IN CONJUNCTION WITH ALL RELEVANT DRAWINGS & SPECIFICATIONS.
  - ALL DIMENSIONS SHOWN ARE IN MILLIMETER.
  - EVERYTHING IS TO BE CONSIDERED NEW UNLESS NOTED "EXISTING" OTHERWISE.

**BENCHMARK NOTE**  
 COORDINATES ARE UTM GRID, DERIVED FROM REAL TIME NETWORK (RTN) OBSERVATIONS, UTM ZONE 18, NAD83 (CSRS) (2010.0). DISTANCES ARE GROUND AND CAN BE CONVERTED TO GRID BY MULTIPLYING BY THE COMBINED SCALE FACTOR OF 0.9999690.

ELEVATIONS SHOWN ON THIS PLAN ARE RELATED TO GEODETIC DATUM AND ARE DERIVED FROM TOWN OF GANANOQUE BENCH MARK No. CP83207 HAVING A PUBLISHED ELEVATION OF 90.790 METRES.

- LEGEND:**
- EXISTING GRADE
  - PROPOSED GRADE
  - R.L. RIDGE LINE
  - SILT FENCE
  - NEW GAS LINE
  - NEW WATER LINE
  - NEW SANITARY LINE
  - NEW STORM LINE
  - OVERLAND FLOW ROUTE
  - EXISTING OVERLAND FLOW ROUTE
  - PROPOSED CATCH BASIN
  - PROPOSED MANHOLE
  - PROPOSED CB/MANHOLE

9					
8					
7					
6					
5					
4					
3	OCT.08.19	REV'D & RE-ISSUED FOR SPA REVIEW & APPROVAL	MG	WAM	
2	AUG.19.19	REV'D & RE-ISSUED FOR SPA REVIEW & APPROVAL	MG	WAM	
1	MAY.06.19	ISSUED FOR SPA REVIEW & APPROVAL	MG	WAM	
No.	DATE	REVISIONS	INITIAL	CHECKED	

**GAMA Engineering Inc.**  
 8611 Weston Road, Suite 35B - Vaughan, Ontario - L4L 9P1  
 Tel: 905-264-9295 www.gamaeng-inc.com

CLIENT/OWNER:  
**PAVARANI HOLDINGS INC 1096971-2**  
 138 EARLTON ROAD  
 SCARBOROUGH, ON M1T 2R9

PROJECT/ADDRESS:  
**PROPOSED GAS BAR/C-STORE/QSR**  
 575 KING STREET EAST  
 GANANOQUE, ON K7G 1H1

TITLE:  
**SERVICING PLAN**

DESIGN:	WAM	DWN BY:	MG	DRAWING No.
SCALE:	1:200	DWG. FILE:	1830-CIVL	<b>GP-2</b>
DATE:	APR 10/19	PROJ. No.:	1830	

