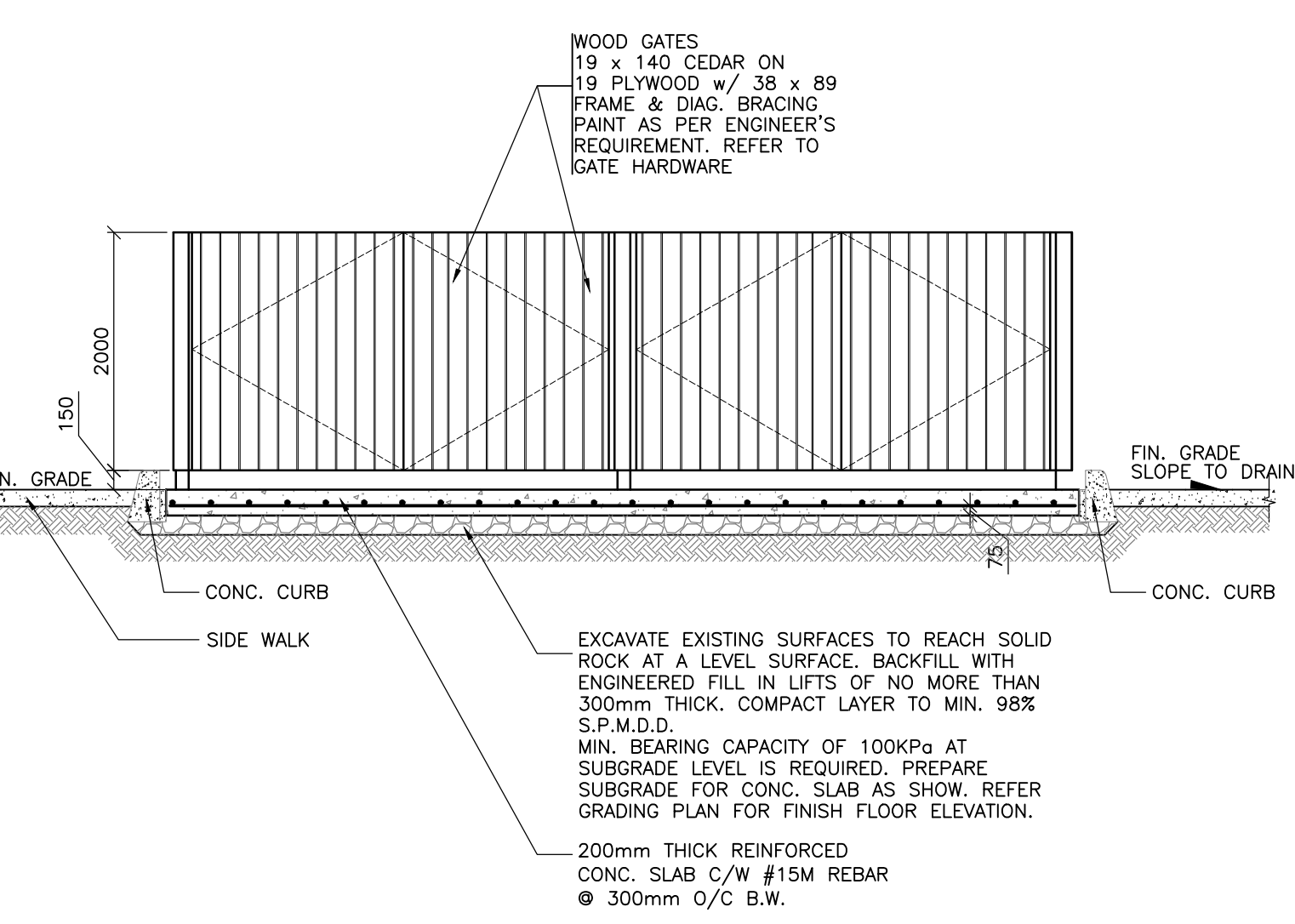
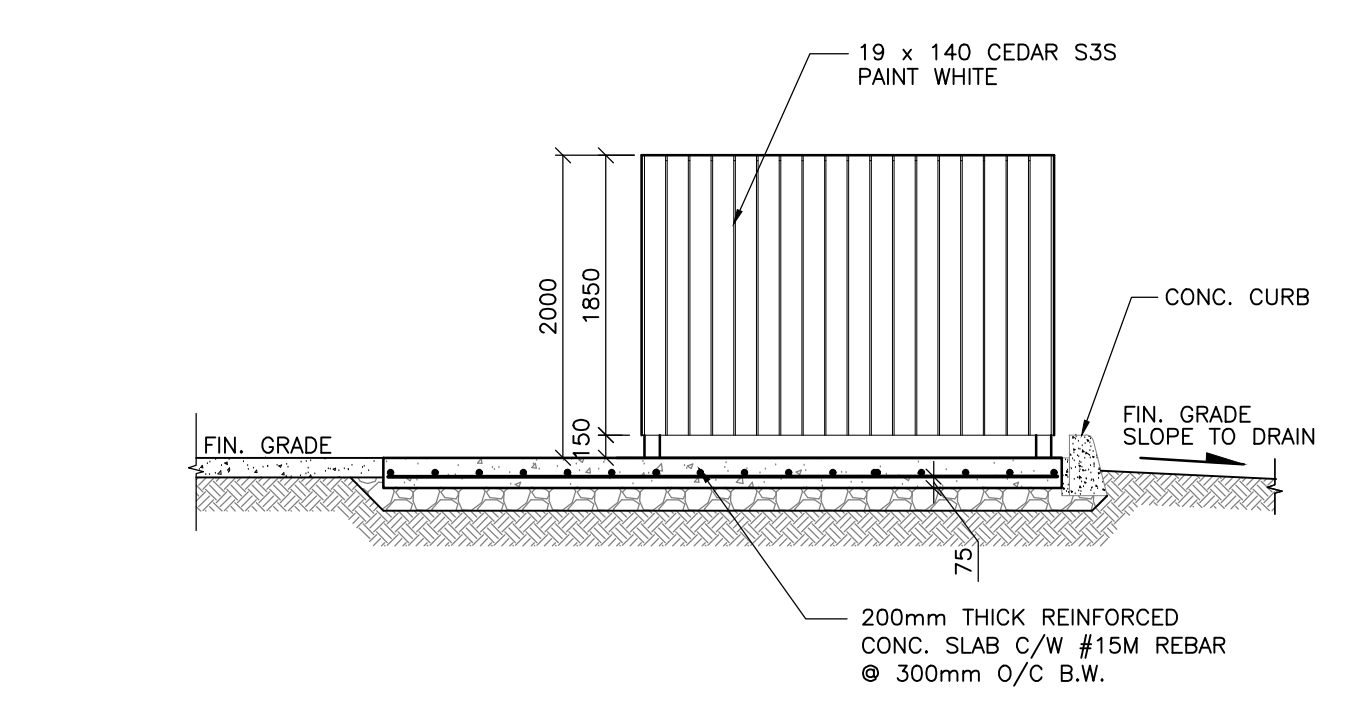


1 GARBAGE ENCLOSURE PLAN
MS-01 SCALE 1:50



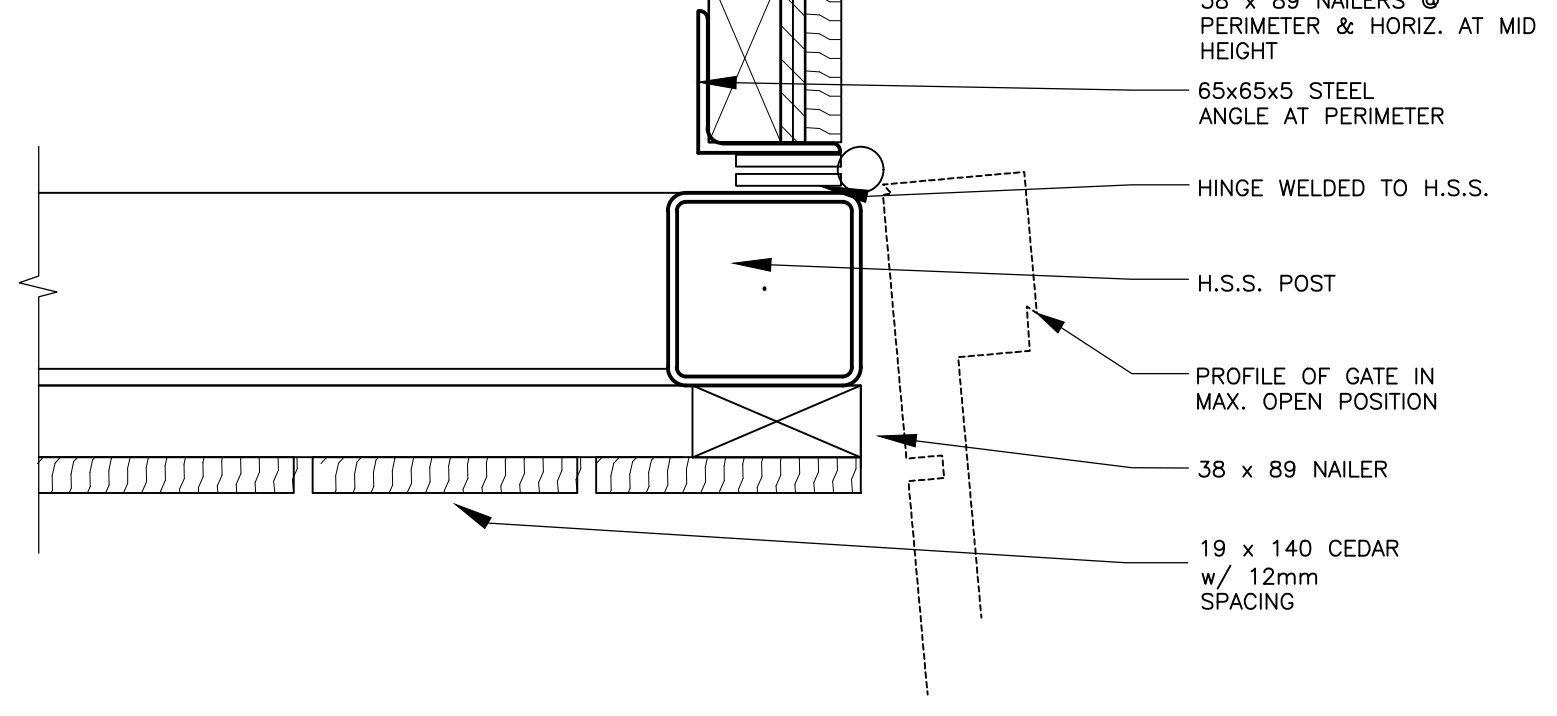
2 GARBAGE ENCLOSURE FRONT ELEVATION
MS-01 SCALE 1:50



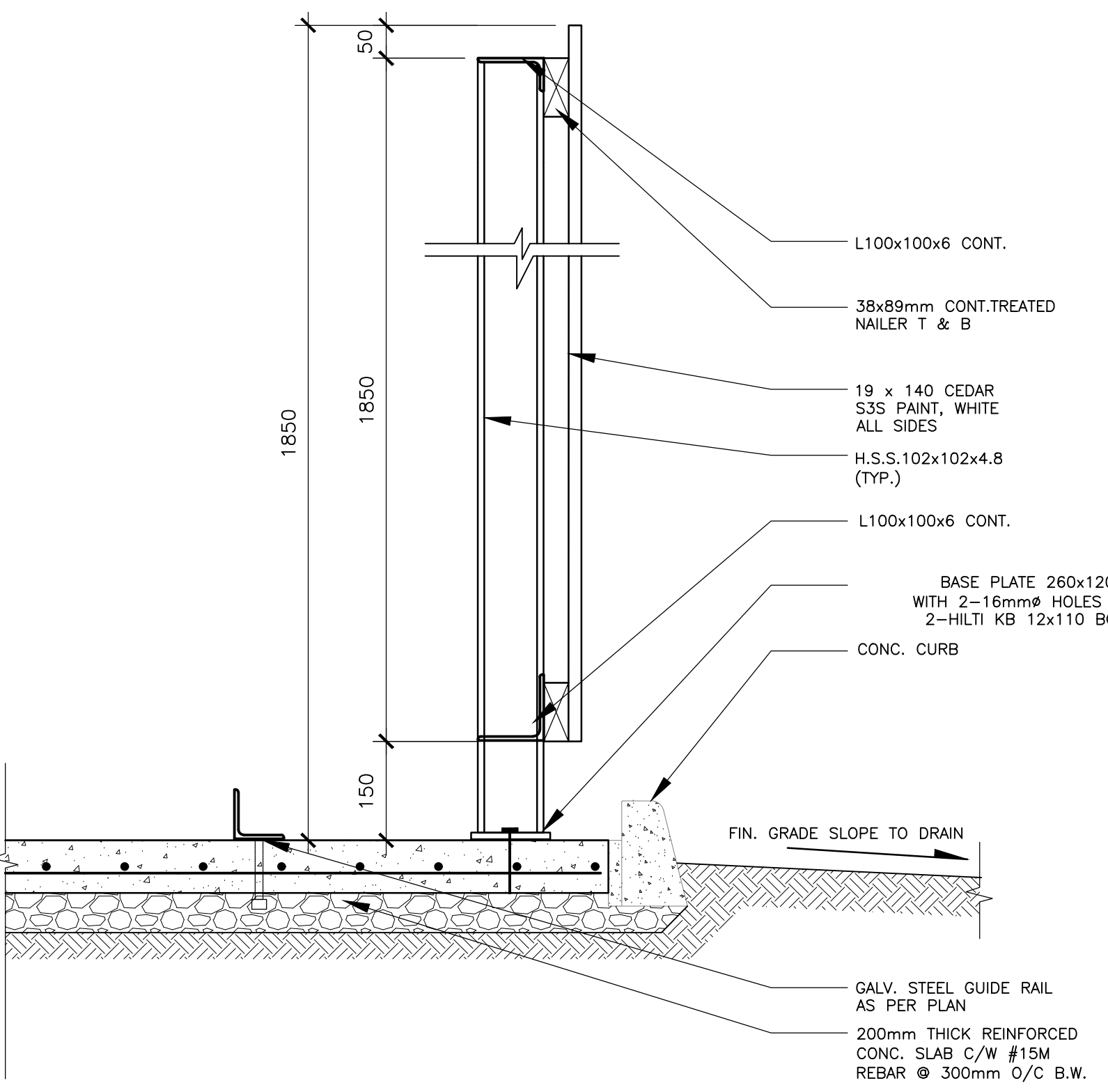
3 GARBAGE ENCLOSURE SIDE ELEVATION
MS-01 SCALE 1:50

HARDWARE SCHEDULE

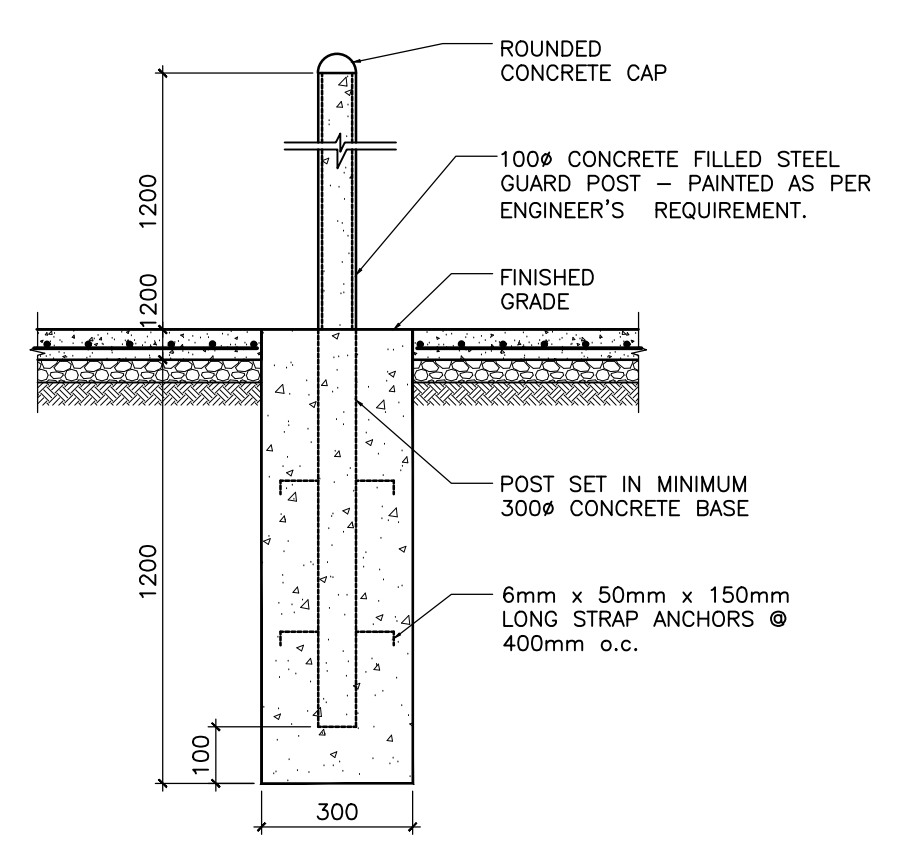
- 3pr. BUTTS HAGAR BB1191 603
- 2 CANE BOLTS SHL No. 1023-457mm 1 PER DOOR, EXTERIOR ON ACTIVE DOOR, INTERIOR ON INACTIVE DOOR. PT.
- 1 PADLOCK SCHLAGE 45-121 C2G
- 1 PADBOLT SCL 2205-150mm 626



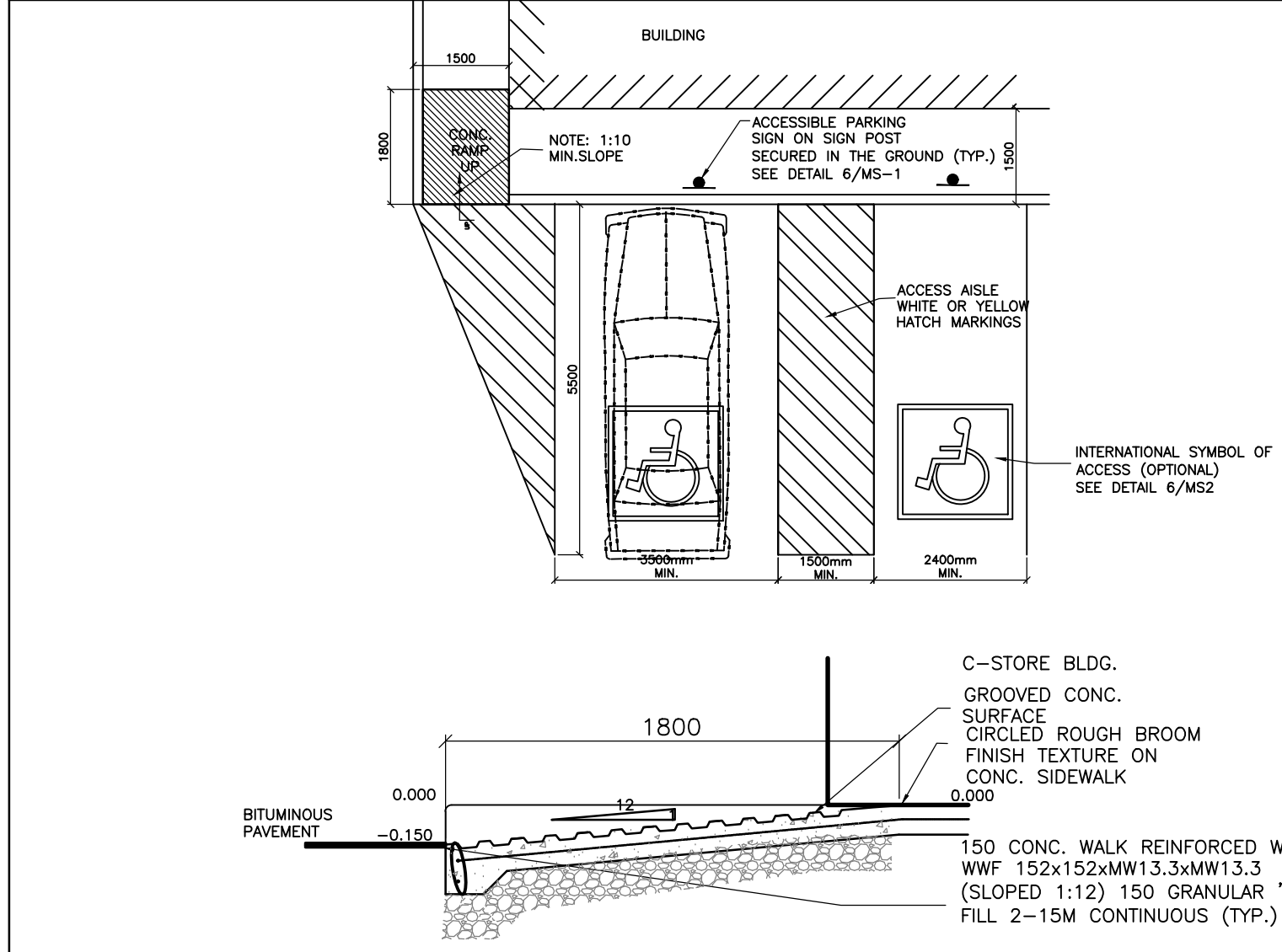
4 TYP. GATE CONST. DETAIL
MS-01 SCALE 1:20



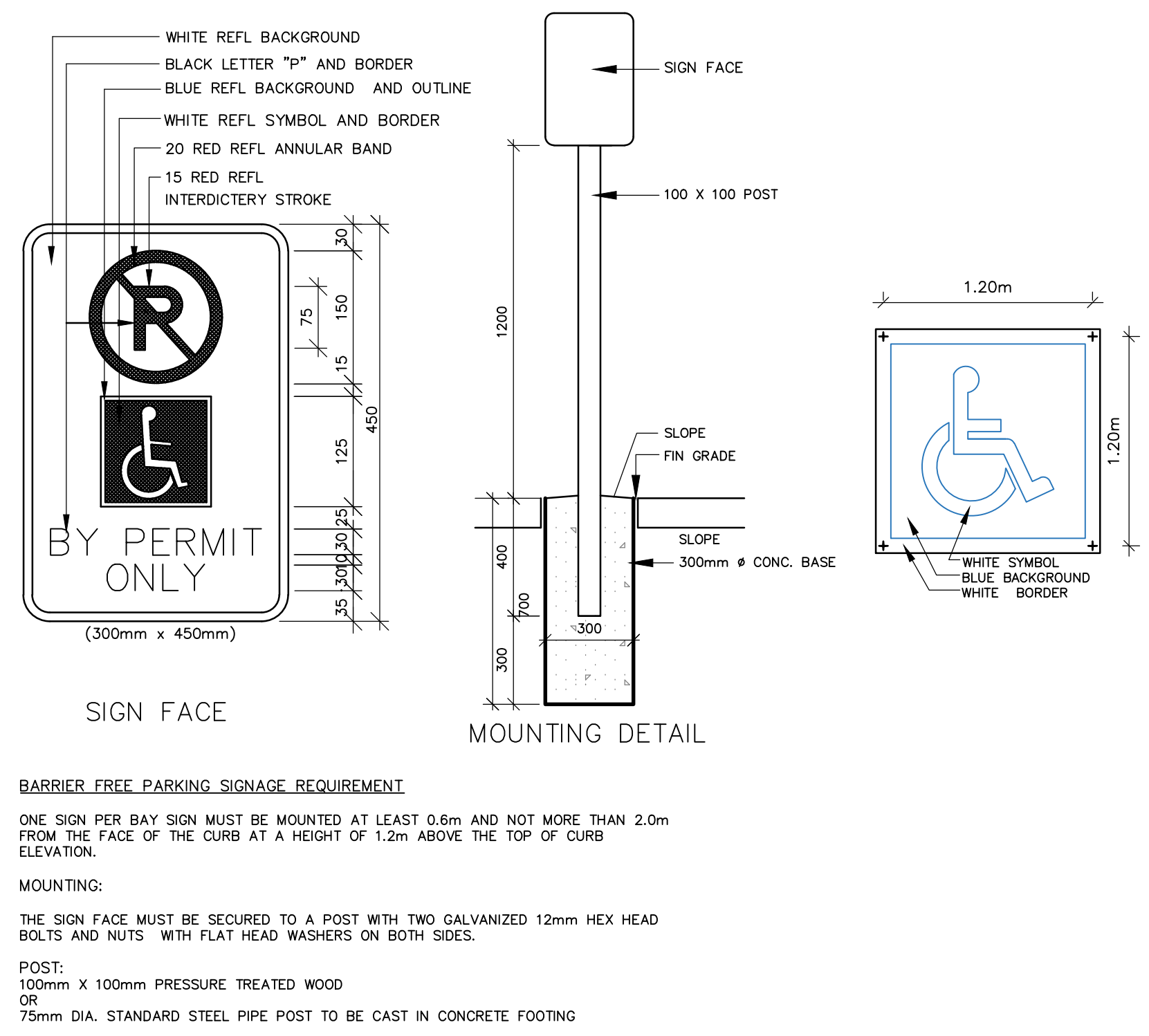
5 GARBAGE ENCLOSURE WALL CUT
MS-01 SCALE 1:20



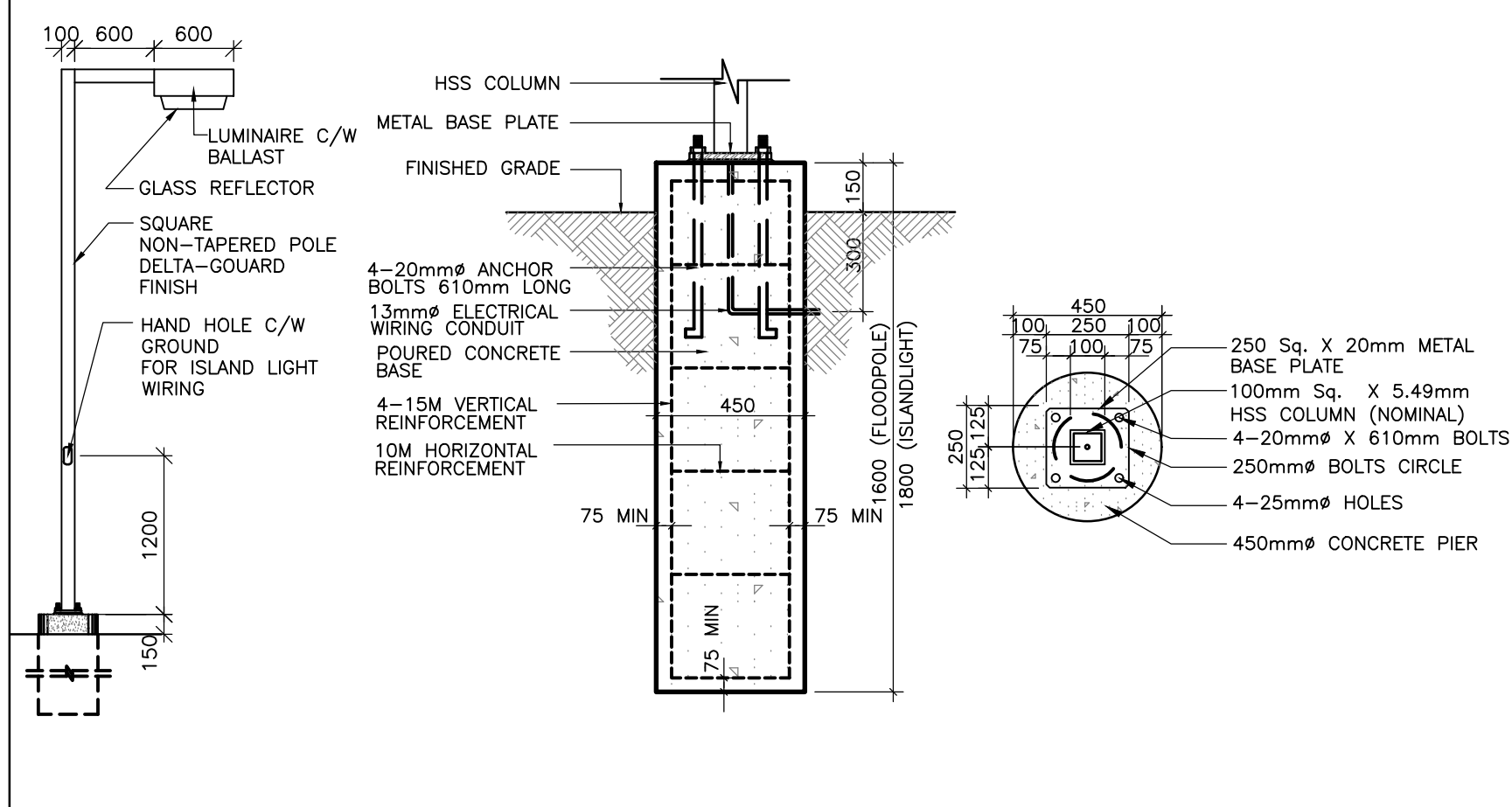
6 INTERIOR GUARD POST SECTION
MS-01 SCALE 1:50



7 TYP. BARRIER FREE PARKING & RAMP DETAILS
MS-01 SCALE NTS



8 B/F PARKING SIGN DETAIL
MS-01 SCALE NTS



9 LIGHT STANDARD CONC. BASE DETAILS - SECTION
MS-01 SCALE NTS

GENERAL NOTES:

- VERIFY ALL DIMENSIONS PRIOR TO CONSTRUCTION. DO NOT SCALE DRAWINGS.
- DIMENSIONS ARE IN MILLIMETRES UNLESS NOTED OTHERWISE.
- REPORT ALL DISCOVERIES OF ERRORS, OMISSIONS OR DISCREPANCIES TO DESIGN ENGINEER AS APPLICABLE.
- USE ONLY LATEST REVISED DRAWINGS OR THOSE THAT ARE MARKED "ISSUED FOR CONSTRUCTION"
- DESIGN AND CONSTRUCTION OF THIS PROJECT SHALL COMPLY WITH THE PROVINCIAL AND LOCAL BUILDING CODES LATEST EDITION.
- ALL WORKS AND MATERIALS USED SHALL COMPLY AS REQUIRED BY THE NATIONAL AND APPLICABLE PROVINCIAL BUILDING CODE, LATEST EDITION.
- THIS DRAWING SHALL BE READ IN CONJUNCTION WITH ALL RELEVANT DRAWINGS & SPECIFICATIONS.
- EVERYTHING IS TO BE CONSIDERED NEW UNLESS SPECIFIED OTHERWISE.

LIGHT STANDARD

FLOODLIGHT POLE SHALL BE 100mm Sq. STEEL AND TO PROVIDE A 5500mm MOUNTING HEIGHT ABOVE BASE PLATE. POLE SHALL BE PRE DRILLED AT TOP TO PROVIDE MOUNTING POSITION FOR MINIMUM OF FOUR LUMINAIRES AND COVERED WITH PLATES.

ARMS WILL BE DETACHABLE AND 450mm LONG. POLE WILL BE PROVIDED WITH ONE WIRING HANDHOLES, @ 1200mm UP SHAFT, TO BE COMPLETED WITH GROUNDING LUGS & REMOVABLE POLE CAP.

FIXTURES TO BE COMPLETE WITH POLISHED ALUMINUM REFLECTOR BEHIND THE LAMP AND A PULSE RATED SOCKET. REFRACTOR WILL BE CLEAR PATTERNED ACRYLIC IN A FULLY HINGED FRAME AND REFRACTOR WILL BE 75mm DEEP GIVING

A MAXIMUM DEPTH TO FIXTURE INCLUDING THE REFRACTOR OF 275mm. POLE MOUNTED FIXTURES, TO BE MATTE GREY PAINT TO BE OUTDOOR THERMAL SETTING ENAMEL. SIMILAR TO METAL HALIDE.

FIXTURES TO BE FULLY GASKETED AND WEATHERPROOFED.

POLE SHALL BE COMPLETED WITH ANCHOR BOLTS 20mm X 600mm LONG AND BOLT COVER BASE. COMPLETE ASSEMBLY PAINTED WITH OUTDOOR THERMAL SETTING ENAMEL MATTE GREY.

FIXTURE SHALL BE 600mm Sq. METAL HOUSING ZINC PRIME COATED. HOUSING SHALL BE 200mm DEEP WITH INTEGRAL 400 WATT METAL HALIDE BALLAST WITH ISOLATED SECONDARY AND LAMP.

BALLAST TO BE MANUFACTURED BY ALLISON OR SOLA, LAMPS TO BE MANUFACTURED BY CGE OR SYLVANIA.

NOTES

- SONOTUBE FORMS L.W.W. ARE TO BE USED FOR ALL CONCRETE FOUNDATIONS FOR POLES.
- ALL BASES TO BE POURED MONOLITHIC.
- CONTRACTOR IS TO SET 3.0mm# 13mm DEEP SEMICIRCULAR DRAINAGE GROOVES THROUGH CENTER OF FLOOD POLE FOUNDATION TOP BEFORE CONCRETE HAS SET.
- REFER TO LIGHTING PLAN FOR TYPE OF FIXTURES IF DIFFERENT.



9				
8				
7				
6				
5				
4				
3				
2	AUG.16.19	REV'D & RE-ISSUED FOR SPA APPROVAL	WT	WAM
1	MAY.06.19	ISSUED FOR SPA REVIEW & APPROVAL	WT	WAM
No.	DATE	REVISIONS	INITIAL	CHECKED

GAMA Engineering Inc.
8611 Weston Road, Suite 35B - Vaughan, Ontario - L4L 9P1
Tel: 905-264-9293 www.gamaeng-inc.com

CLIENT/OWNER:
PAVARANI HOLDINGS INC. 1096791-2
138 EARLTON ROAD
SCARBOROUGH, ONTARIO M1T 2R9

PROJECT/ADDRESS:
**575 KING STREET EAST,
GANANOQUE, ONTARIO**

TITLE:
**SITE EQUIPMENT, SIGNS DETAILS
& GARBAGE ENCLOSURE**

DESIGN:	AM	OWN BY:	WT	DRAWING No.
SCALE:	AS SHOWN	DWG. FILE:	1830-MS-1	MS-1
DATE:	MAY.02.19	PROJ. No.:	1830	