



**LOCATION PLAN**  
SCALE: 1:20,000

No.	Revision	Date
0	ISSUED FOR NPP APPROVAL	JUL 30, 2014
1	REISSUED FOR NPP APPROVAL	FEB 13, 2018
2	REISSUED FOR NPP APPROVAL	JULY 4, 2018

Notes:

THIS DRAWING, AND THE DESIGNS AND INFORMATION IT CONTAINS, IS THE PROPERTY OF RIGGS ENGINEERING LTD. AND MAY NOT BE REPRODUCED OR USED OTHERWISE THAN ON THE SPECIFIED PROJECT WITHOUT WRITTEN PERMISSION.

Firm:

**Riggs Engineering Ltd.**  
1240 Commissioners Rd. W, Suite 205  
London, Ontario,  
N6K 1C7  
Tel: (519) 657-1040  
Fax: (519) 657 8631  
Website: www.riggsengineering.com

- 1 Detail No.
- 2 drawing no. - where detail required refers to MA-
- 3 drawing no. - where detailed refers to MA-

Stamp:

Client:

**STONE & SOUTH DEVELOPMENT INC.**

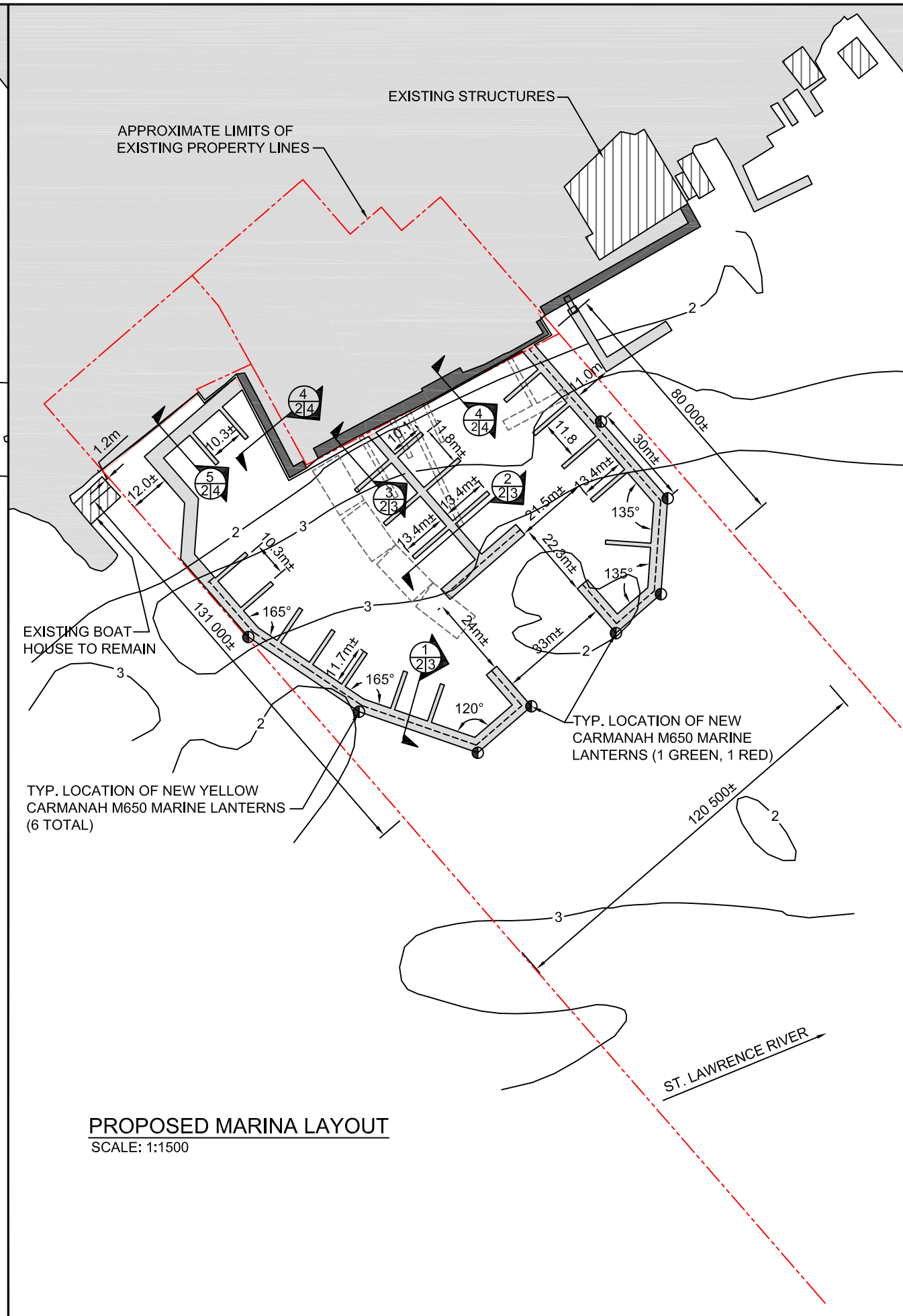
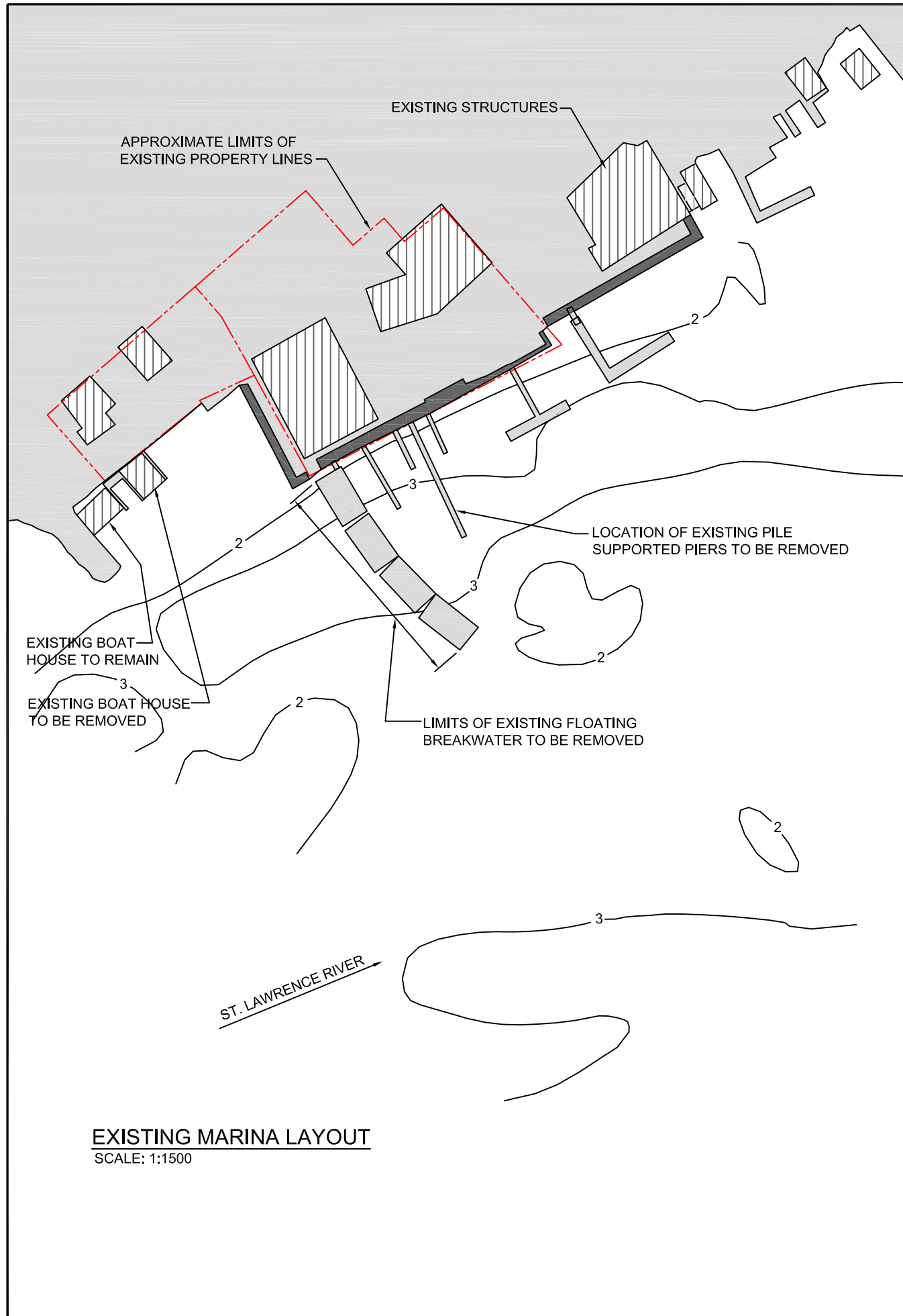
Project Name:

**STONE & SOUTH CONDOMINIUMS**

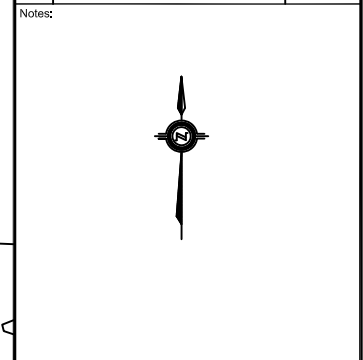
Drawing Title:

**LOCATION PLAN**

Date:	Drawn by:	Checked by:
JULY 29, 2014	AM	BR
Scale:	Drawing No.	
AS NOTED:	<b>AP-01</b>	
Project No.	13-1069	



No.	Revision	Date
0	ISSUED FOR NPP APPROVAL	JUL 30, 2014
1	DIMENSIONS ADDED	DEC 3, 2014
2	REVISED LAYOUT	APR 2, 2015
3	REISSUED FOR NPP APPROVAL	FEB 13, 2018
4	REISSUED FOR NPP APPROVAL	APR 17, 2018
5	REISSUED FOR NPP APPROVAL	JULY 4, 2018



THIS DRAWING, AND THE DESIGNS AND INFORMATION IT CONTAINS, IS THE PROPERTY OF RIGGS ENGINEERING LTD. AND MAY NOT BE REPRODUCED OR USED OTHERWISE THAN ON THE SPECIFIED PROJECT WITHOUT WRITTEN PERMISSION.

Firm:

**Riggs Engineering Ltd.**  
1240 Commissioners Rd. W, Suite 205  
London, Ontario,  
N6K 1C7  
Tel: (519) 657-1040  
Fax: (519) 657 8631  
Website: www.riggsengineering.com

- 1 Detail No.
- 2 drawing no. - where detail required refers to MA-
- 3 drawing no. - where detailed refers to MA-

Stamp:

Client:

**STONE & SOUTH DEVELOPMENT INC.**

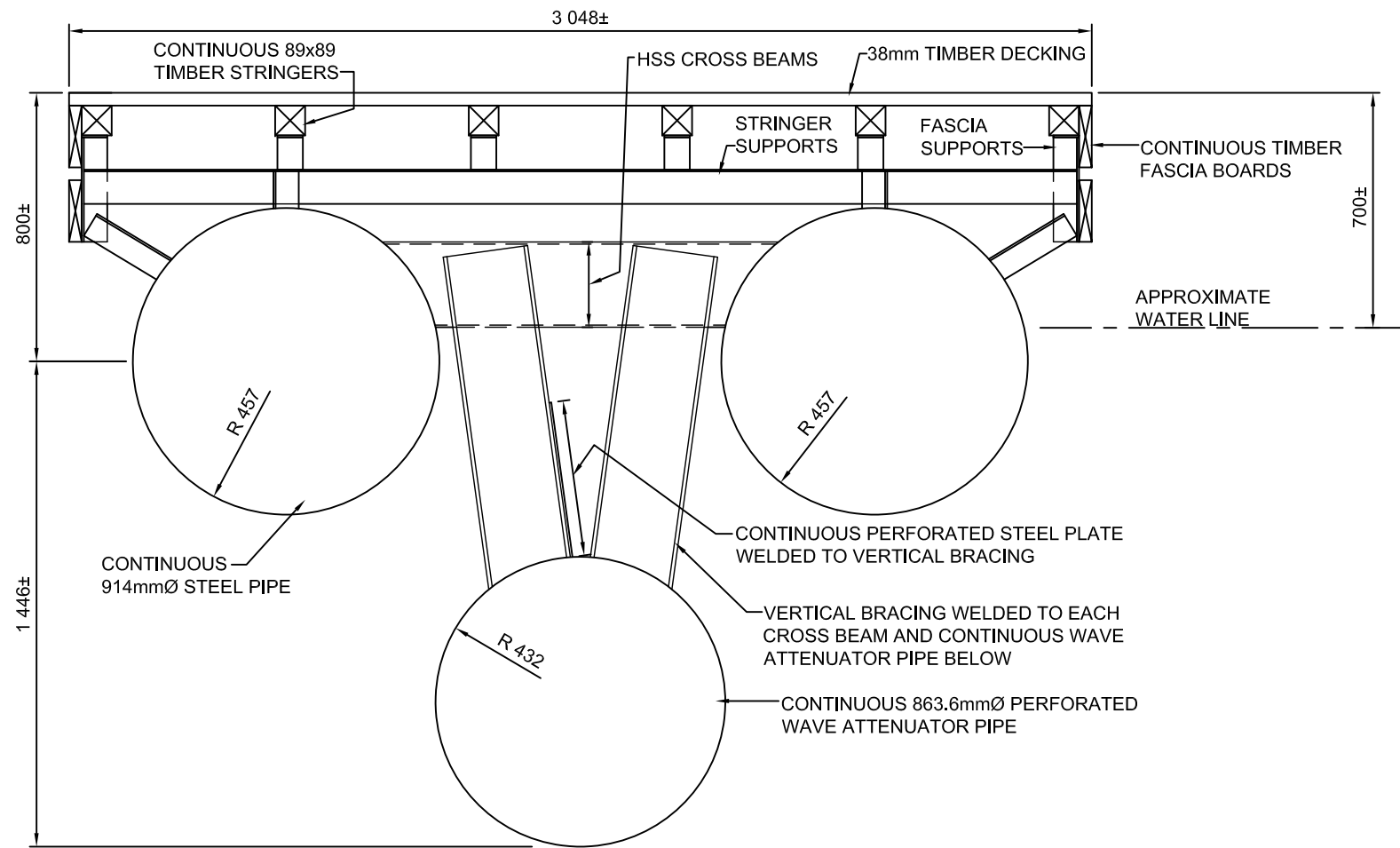
Project Name:

**STONE & SOUTH CONDOMINIUMS**

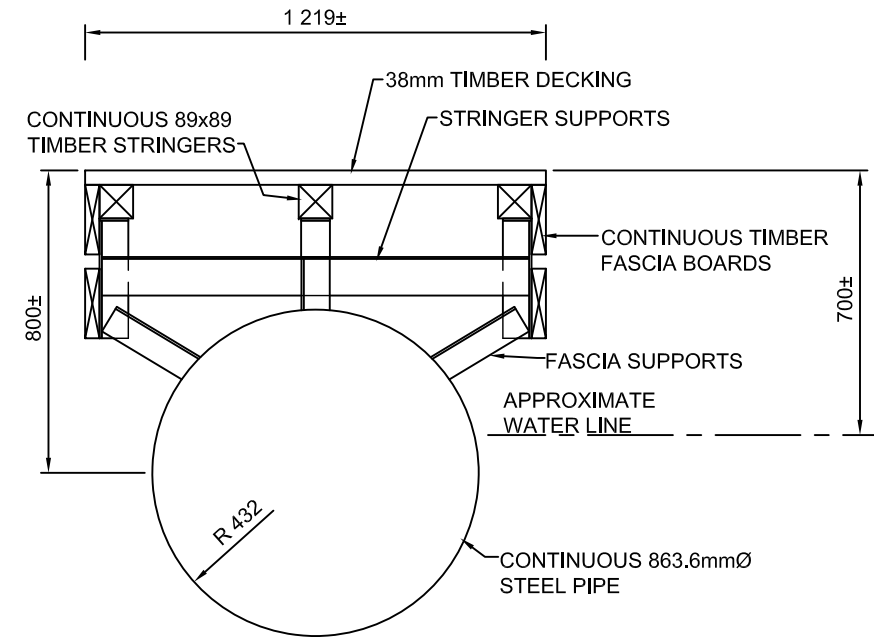
Drawing Title:

**MARINA LAYOUT**

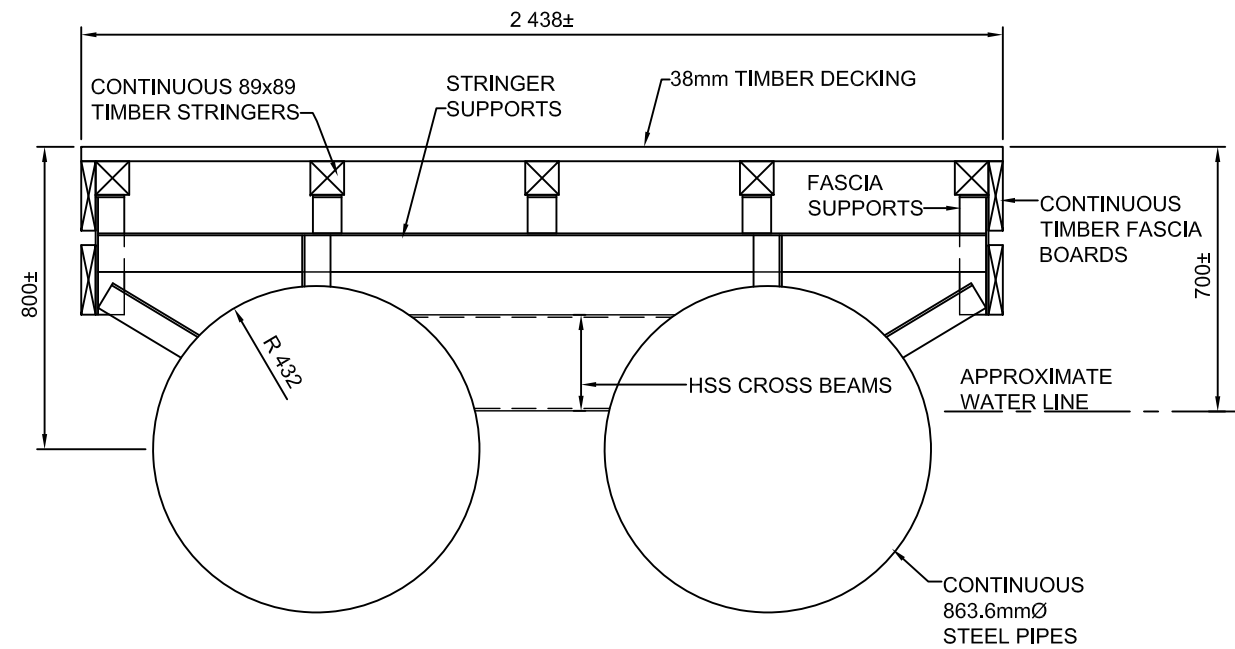
Date:	Drawn by:	Checked by:
JULY 29, 2014	AM	BR
Scale:	Drawing No.	
AS NOTED:	<b>AP-02</b>	
Project No.	13-1069	



1 TYP. SECTION OF NEW FLOATING BREAKWATER WITH WAVE ATTENUATOR  
SCALE: 1:20



3 TYP. SECTION OF NEW FINGER PIER  
SCALE: 1:20



2 TYP. SECTION OF NEW APPROACH MAIN  
SCALE: 1:20

No.	Revision	Date
0	ISSUED FOR NPP APPROVAL	JUL 30, 2014
1	REISSUED FOR NPP APPROVAL	FEB 13, 2018
2	REISSUED FOR NPP APPROVAL	APR 17, 2018
3	REISSUED FOR NPP APPROVAL	JULY 4, 2018

Notes:

THIS DRAWING, AND THE DESIGNS AND INFORMATION IT CONTAINS, IS THE PROPERTY OF RIGGS ENGINEERING LTD. AND MAY NOT BE REPRODUCED OR USED OTHERWISE THAN ON THE SPECIFIED PROJECT WITHOUT WRITTEN PERMISSION.

Firm:  
  
**Riggs Engineering Ltd.**  
 1240 Commissioners Rd. W, Suite 205  
 London, Ontario,  
 N6K 1C7  
 Tel: (519) 657-1040  
 Fax: (519) 657 8631  
 Website: www.riggsengineering.com

- 1 Detail No.
- 2 drawing no. - where detail required refers to MA-
- 3 drawing no. - where detailed refers to MA-

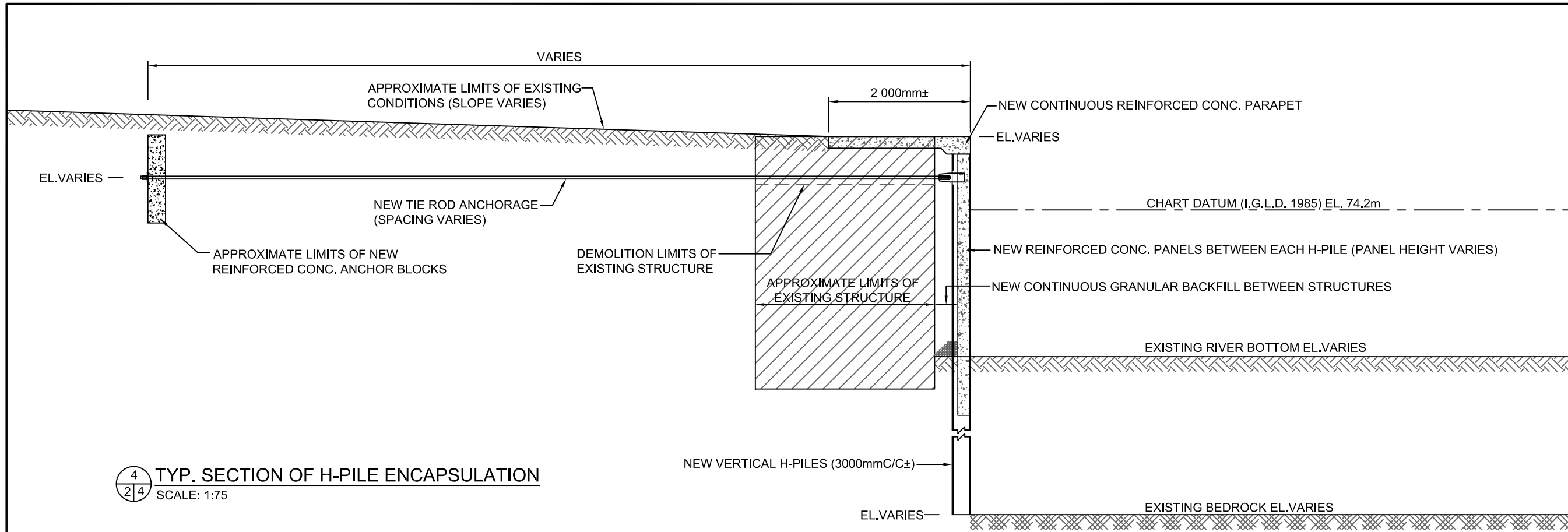
Stamp:

Client:  
**STONE & SOUTH DEVELOPMENT INC.**

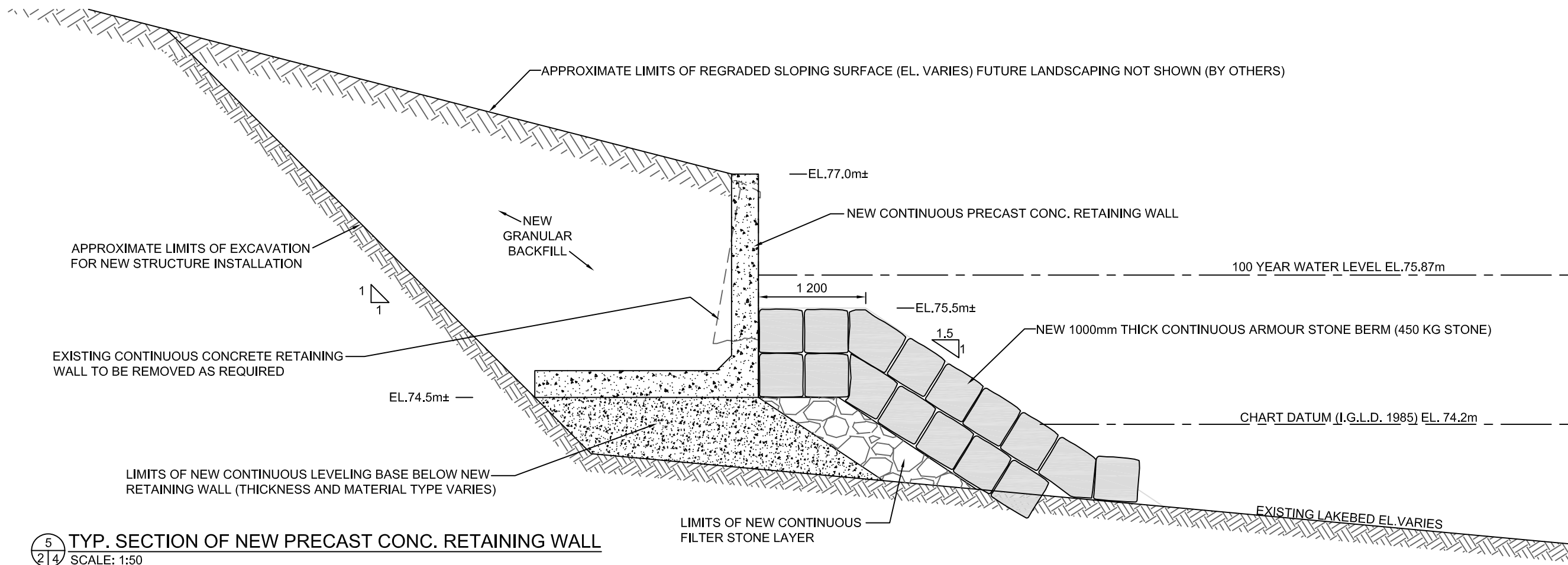
Project Name:  
**STONE & SOUTH CONDOMINIUMS**

Drawing Title:  
**TYP. SECTIONS**

Date: JULY 29, 2014	Drawn by: AM	Checked by: BR
Scale: AS NOTED:	Drawing No. <b>AP-03</b>	
Project No. 13-1069		



4 TYP. SECTION OF H-PILE ENCAPSULATION  
SCALE: 1:75



5 TYP. SECTION OF NEW PRECAST CONC. RETAINING WALL  
SCALE: 1:50

No.	Revision	Date
0	ISSUED FOR NPP APPROVAL	JUL 30, 2014
1	REVISED LAYOUT	APR 2, 2015
2	REISSUED FOR NPP APPROVAL	FEB 13, 2018
3	REISSUED FOR NPP APPROVAL	JULY 4, 2018

Notes:

CHART DATUM (I.G.L.D. 1985) EL. 74.2m

NEW CONTINUOUS REINFORCED CONC. PARAPET  
EL. VARIES

NEW REINFORCED CONC. PANELS BETWEEN EACH H-PILE (PANEL HEIGHT VARIES)

NEW CONTINUOUS GRANULAR BACKFILL BETWEEN STRUCTURES

EXISTING RIVER BOTTOM EL. VARIES

EXISTING BEDROCK EL. VARIES

THIS DRAWING, AND THE DESIGNS AND INFORMATION IT CONTAINS, IS THE PROPERTY OF RIGGS ENGINEERING LTD. AND MAY NOT BE REPRODUCED OR USED OTHERWISE THAN ON THE SPECIFIED PROJECT WITHOUT WRITTEN PERMISSION.

Firm:



Riggs Engineering Ltd.  
1240 Commissioners Rd. W, Suite 205  
London, Ontario,  
N6K 1C7  
Tel: (519) 657-1040  
Fax: (519) 657 8631  
Website: www.riggsengineering.com

- 1 Detail No.
- 2 drawing no. - where detail required refers to MA-
- 3 drawing no. - where detailed refers to MA-

Stamp:

Client:

STONE & SOUTH DEVELOPMENT INC.

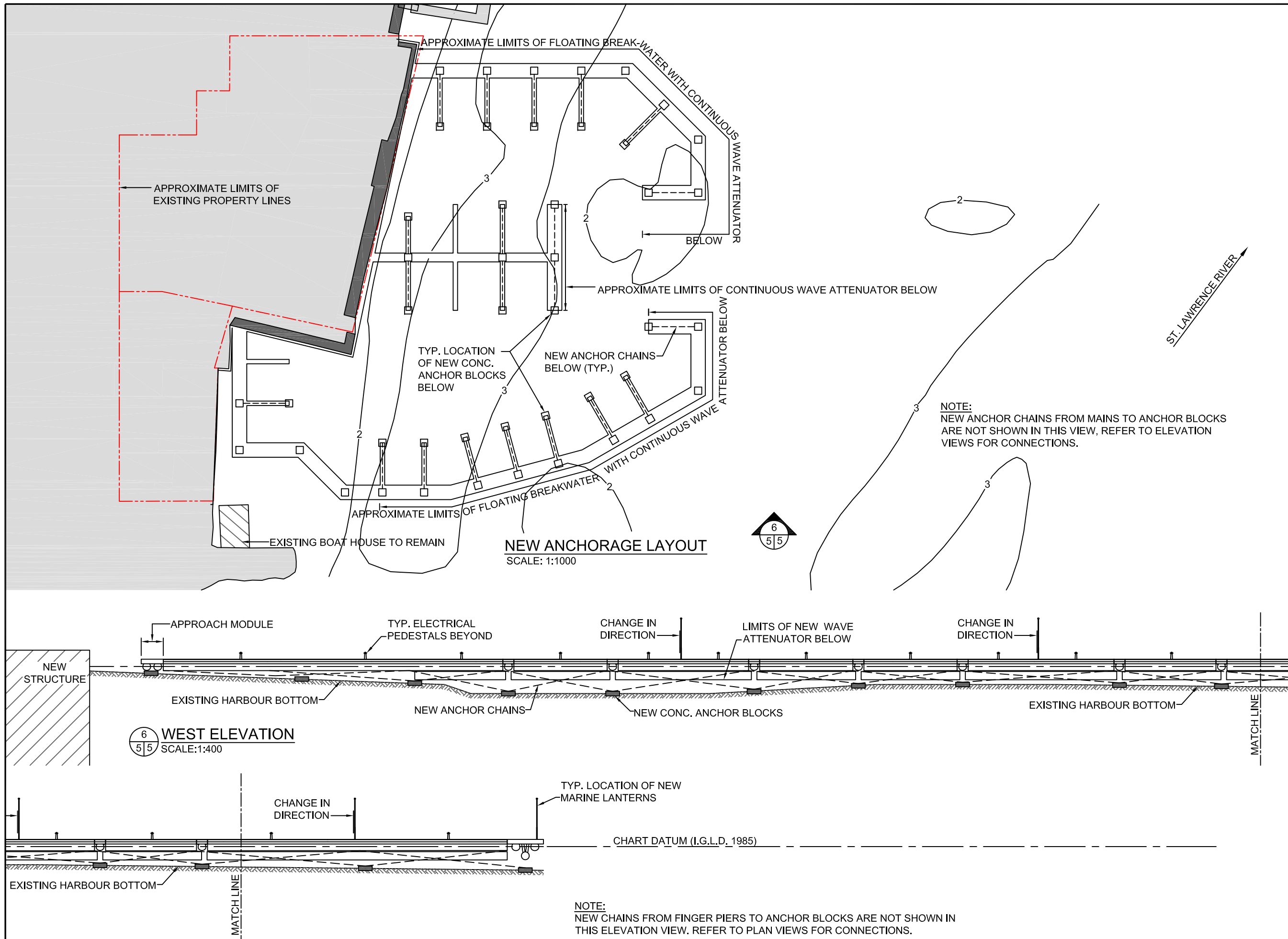
Project Name:

STONE & SOUTH CONDOMINIUMS

Drawing Title:

TYP. SECTIONS

Date:	JULY 29, 2014	Drawn by:	AM	Checked by:	BR
Scale:	AS NOTED:	Project No.:	13-1069		
		Drawing No.:	AP-04		



No.	Revision	Date
0	ISSUED FOR NPP APPROVAL	JUL 30, 2014
1	REVISED LAYOUT	APR 2, 2015
2	REISSUED FOR NPP APPROVAL	FEB 13, 2018
3	REISSUED FOR NPP APPROVAL	APR 17, 2018
4	REISSUED FOR NPP APPROVAL	JULY 4, 2018

Notes:



THIS DRAWING, AND THE DESIGNS AND INFORMATION IT CONTAINS, IS THE PROPERTY OF RIGGS ENGINEERING LTD. AND MAY NOT BE REPRODUCED OR USED OTHERWISE THAN ON THE SPECIFIED PROJECT WITHOUT WRITTEN PERMISSION.

Firm:



**Riggs Engineering Ltd.**  
 1240 Commissioners Rd. W, Suite 205  
 London, Ontario,  
 N6K 1C7  
 Tel: (519) 657-1040  
 Fax: (519) 657 8631  
 Website: www.riggsengineering.com

- 1 Detail No.
- 2 drawing no. - where detail required refers to MA-
- 3 drawing no. - where detailed refers to MA-

Stamp:

Client:

STONE & SOUTH DEVELOPMENT INC.

Project Name:

STONE & SOUTH CONDOMINIUMS

Drawing Title:

NEW ANCHORAGE LAYOUT AND TYP. ELEVATION

Date:	Drawn by:	Checked by:
JULY 29, 2014	AM	BR
Scale:	Drawing No.	
AS NOTED:	AP-05	
Project No.	13-1069	

NOTE:  
 NEW ANCHOR CHAINS FROM MAINS TO ANCHOR BLOCKS ARE NOT SHOWN IN THIS VIEW, REFER TO ELEVATION VIEWS FOR CONNECTIONS.

NOTE:  
 NEW CHAINS FROM FINGER PIERS TO ANCHOR BLOCKS ARE NOT SHOWN IN THIS ELEVATION VIEW. REFER TO PLAN VIEWS FOR CONNECTIONS.