



LOCATION PLAN
SCALE: 1:20,000

No.	Revision	Date
0	ISSUED FOR NPP APPROVAL	JUL 30, 2014

Notes:

THIS DRAWING, AND THE DESIGNS AND INFORMATION IT CONTAINS, IS THE PROPERTY OF RIGGS ENGINEERING LTD. AND MAY NOT BE REPRODUCED OR USED OTHERWISE THAN ON THE SPECIFIED PROJECT WITHOUT WRITTEN PERMISSION.

Firm:

Riggs Engineering Ltd.
1240 Commissioners Rd. W, Suite 205
London, Ontario,
N6K 1C7
Tel: (519) 657-1040
Fax: (519) 657 8631
Website: www.riggsengineering.com

- 1 Detail No.
- 2 drawing no. - where detail required refers to MA-
- 3 drawing no. - where detailed refers to MA-

Stamp:

Client:

CARACO DEVELOPMENT CORPORATION

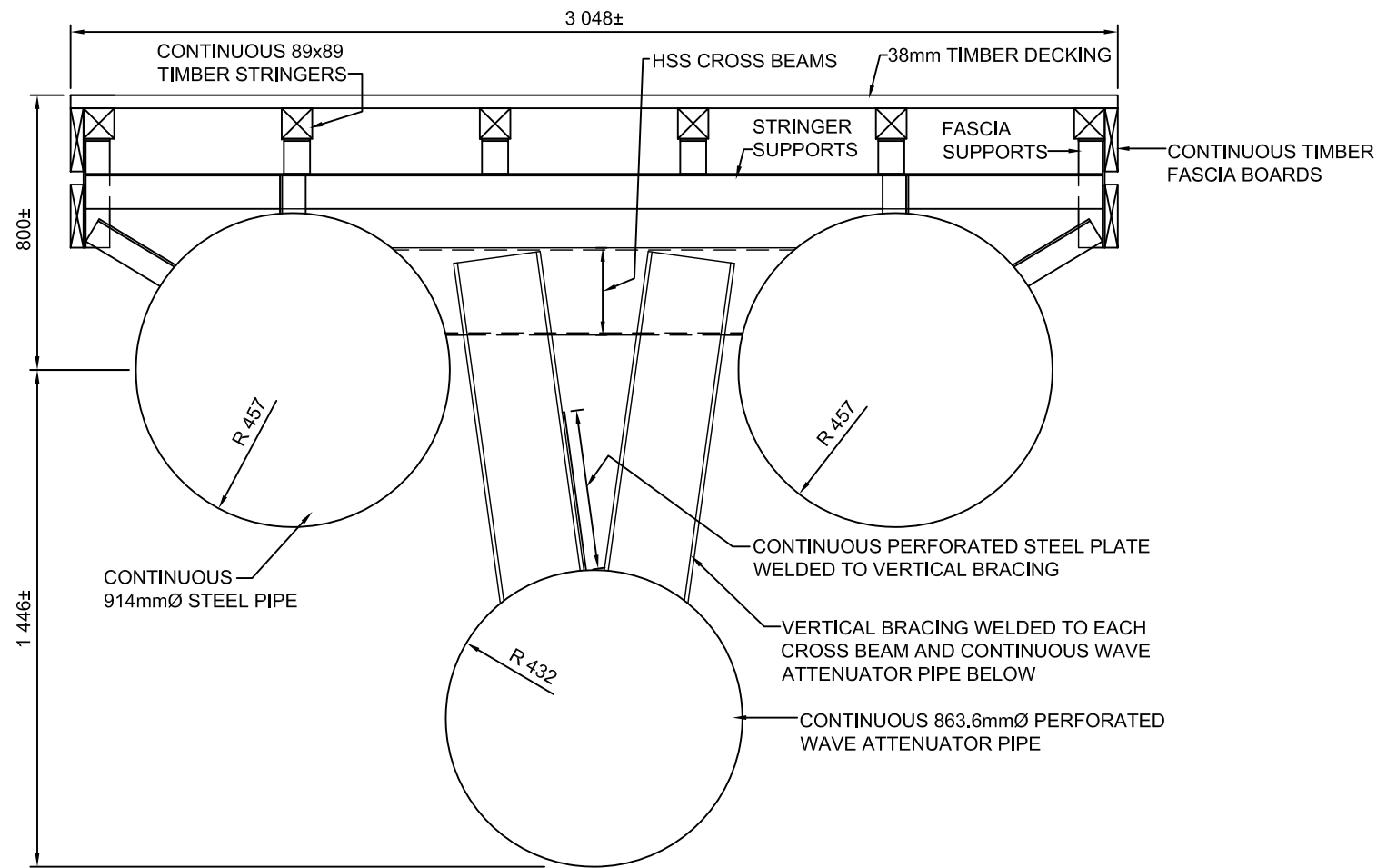
Project Name:

NEW MARINA LAYOUT

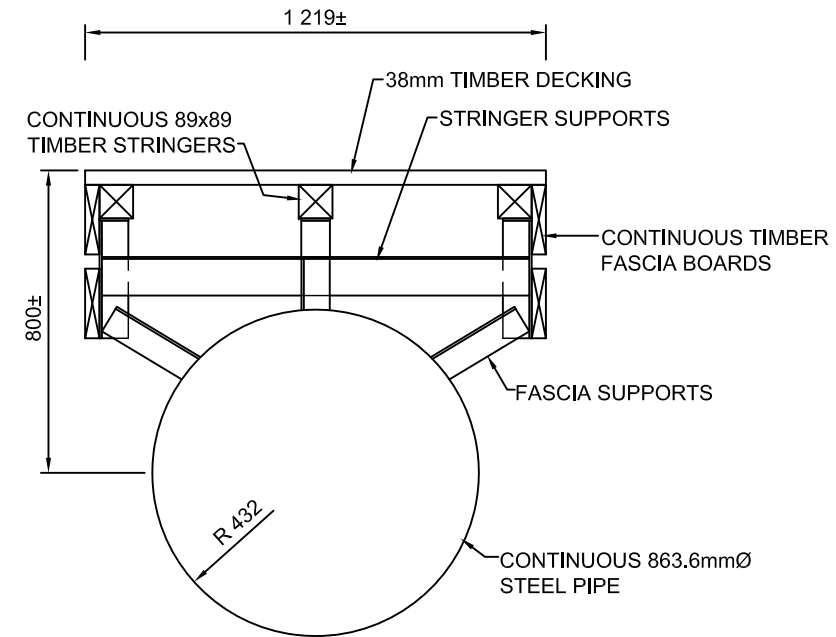
Drawing Title:

LOCATION PLAN

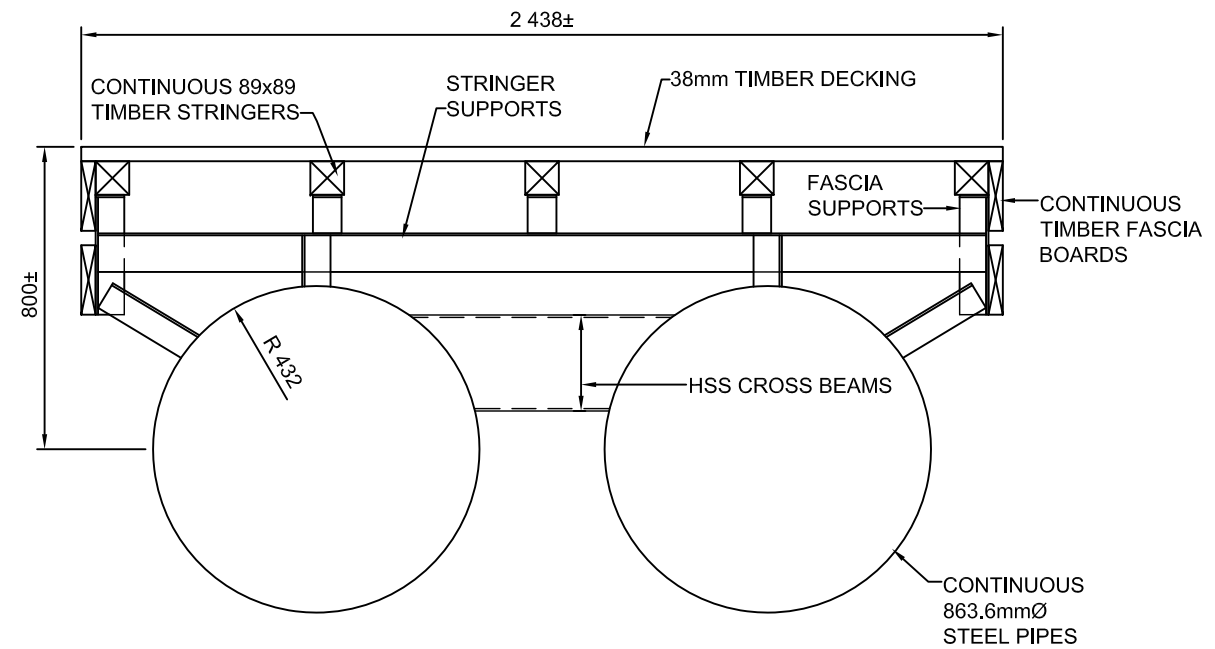
Date:	Drawn by:	Checked by:
JULY 29, 2014	AM	BR
Scale:	Drawing No.	
AS NOTED:	AP-01	
Project No.	13-1069	



1
2/3 TYP. SECTION OF NEW FLOATING BREAKWATER WITH WAVE ATTENUATOR
SCALE: 1:20



3
2/3 TYP. SECTION OF NEW FINGER PIER
SCALE: 1:20




2
2/3 TYP. SECTION OF NEW APPROACH MAIN
SCALE: 1:20

No.	Revision	Date
0	ISSUED FOR NPP APPROVAL	JUL 30, 2014

Notes:

THIS DRAWING, AND THE DESIGNS AND INFORMATION IT CONTAINS, IS THE PROPERTY OF RIGGS ENGINEERING LTD. AND MAY NOT BE REPRODUCED OR USED OTHERWISE THAN ON THE SPECIFIED PROJECT WITHOUT WRITTEN PERMISSION.

Firm:



Riggs Engineering Ltd.
1240 Commissioners Rd. W, Suite 205
London, Ontario,
N6K 1C7
Tel: (519) 657-1040
Fax: (519) 657 8631
Website: www.riggsengineering.com

- 1 Detail No.
- 2 drawing no. - where detail required refers to MA-
- 3 drawing no. - where detailed refers to MA-

Stamp:

Client:

CARACO DEVELOPMENT CORPORATION

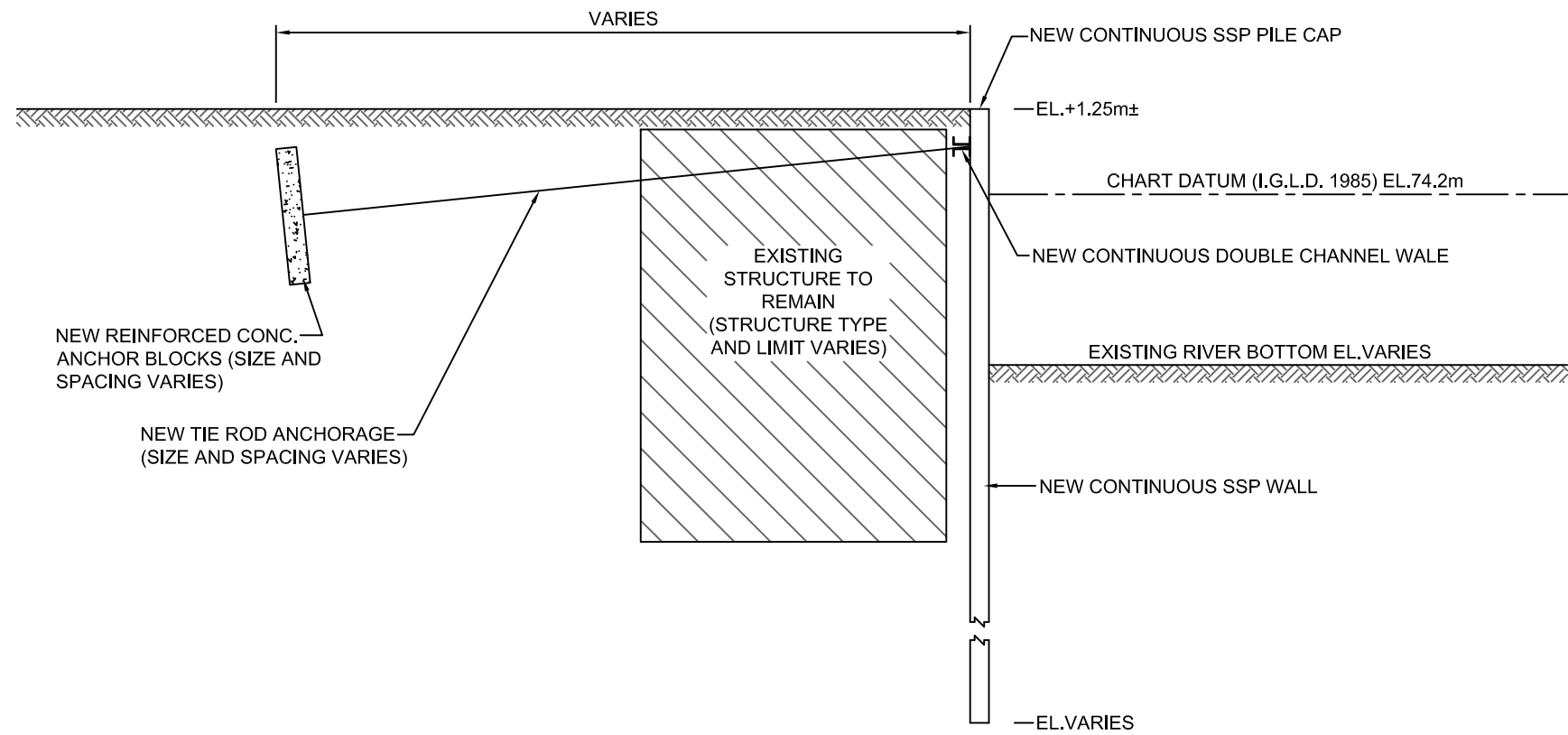
Project Name:

NEW MARINA LAYOUT

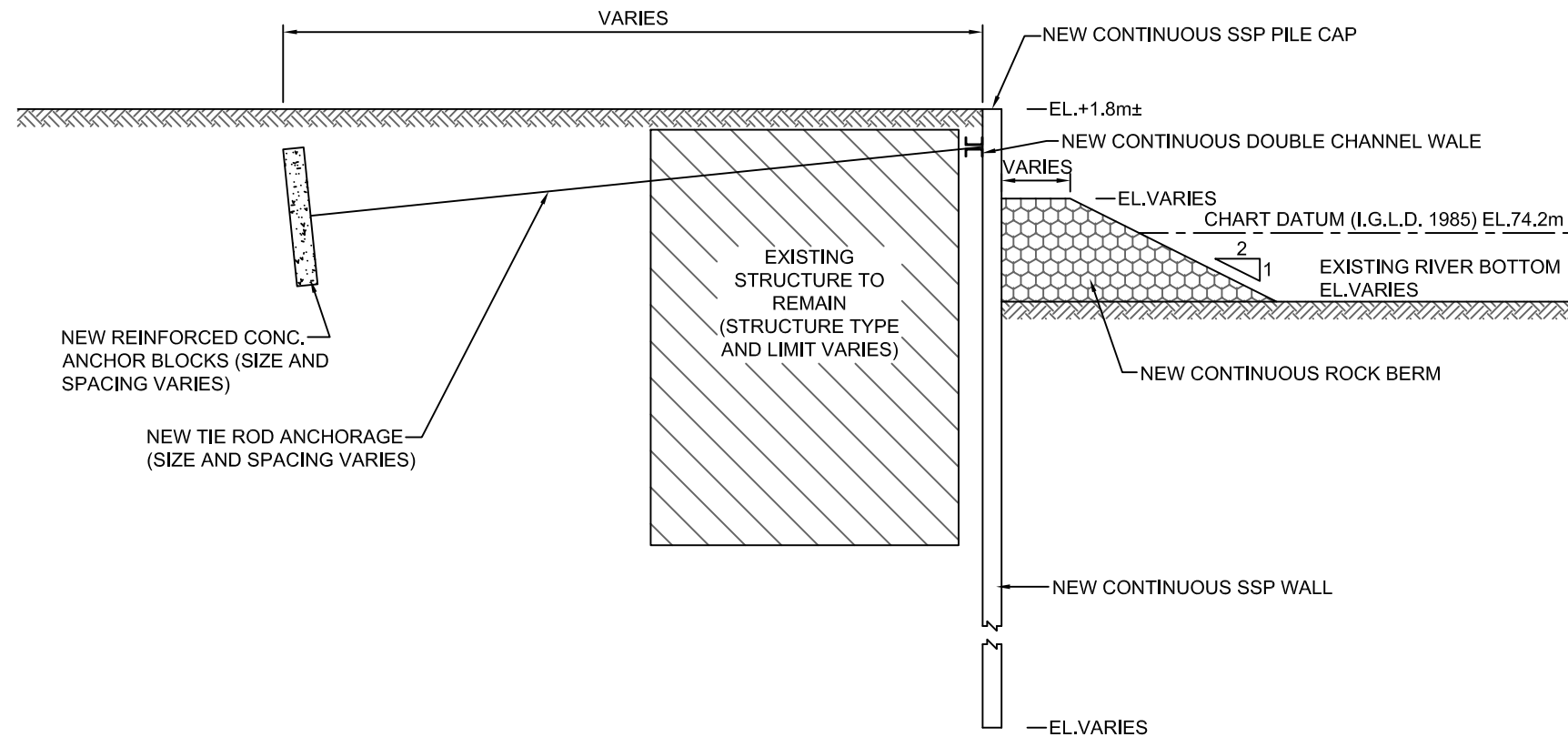
Drawing Title:

TYP. SECTIONS

Date:	Drawn by:	Checked by:
JULY 29, 2014	AM	BR
Scale:	Drawing No.	
AS NOTED:	AP-03	
Project No.	13-1069	



4
2/4 TYP. SECTION OF NEW WHARF
SCALE:1:100



5
2/4 TYP. SECTION OF NEW WHARF WITH ROCK BERM
SCALE:1:100

No.	Revision	Date
0	ISSUED FOR NPP APPROVAL	JUL 30, 2014

Notes:

THIS DRAWING, AND THE DESIGNS AND INFORMATION IT CONTAINS, IS THE PROPERTY OF RIGGS ENGINEERING LTD. AND MAY NOT BE REPRODUCED OR USED OTHERWISE THAN ON THE SPECIFIED PROJECT WITHOUT WRITTEN PERMISSION.

Firm:



Riggs Engineering Ltd.
1240 Commissioners Rd. W, Suite 205
London, Ontario,
N6K 1C7
Tel: (519) 657-1040
Fax: (519) 657 8631
Website: www.riggsengineering.com

- 1 Detail No.
- 2 drawing no. - where detail required refers to MA-
- 3 drawing no. - where detailed refers to MA-

Stamp:

Client:

CARACO DEVELOPMENT CORPORATION

Project Name:

NEW MARINA LAYOUT

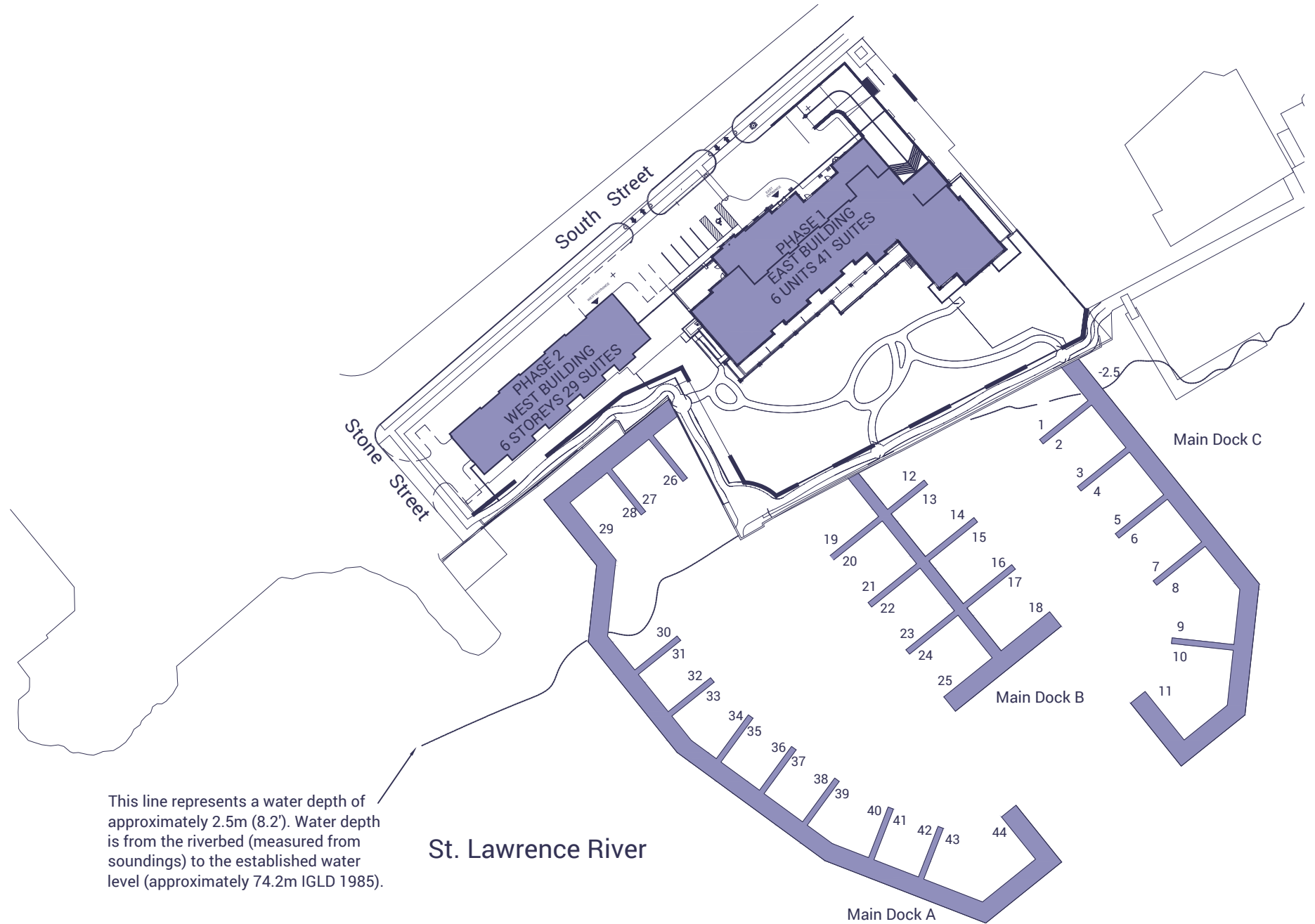
Drawing Title:

TYP. SECTIONS

Date:	Drawn by:	Checked by:
JULY 29, 2014	AM	BR
Scale:	Drawing No.	
AS NOTED:	AP-04	
Project No.	13-1069	



BOAT SLIP PLAN



This line represents a water depth of approximately 2.5m (8.2'). Water depth is from the riverbed (measured from soundings) to the established water level (approximately 74.2m IGLD 1985).

St. Lawrence River

